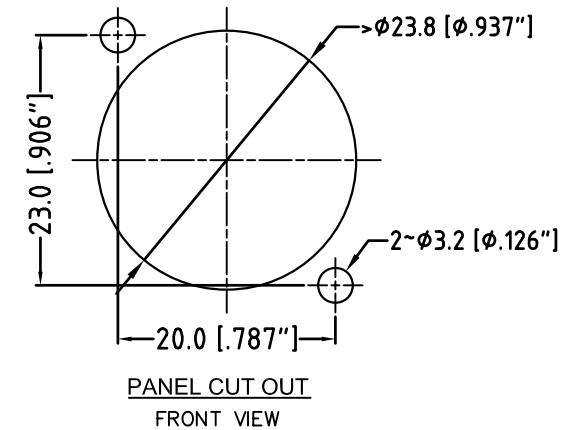
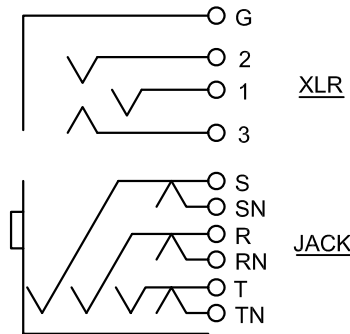


MIN MOUNTING PITCH
ACTUAL SIZE

CONTACTS SCHEMATIC CHART



| | | | | | | | | | | | | | |
|--|--------------|---|--|----------------|--|--|--|---|----------|----------------------------|--------------|--|--|
| UNLESS OTHERWISE SPECIFIED TOLERANCE TO BE | | THIS DOCUMENT IS THE PROPERTY OF AMPHENOL AUSTRALIA PTY. LTD. NO PART THEREOF MAY BE REPRODUCED AND USED WITHOUT THE PRIOR WRITTEN CONSENT OF THE OWNER | | | | 1 | Correct Minimum Mounting Pitch dimension from 14mm to 27mm | M.H | 19-03-09 | 8811 | | | |
| LINEAR | ANGULAR | CAD FILE: 55010435000111 DRN: M.H DATE: 05-10-07 | | | | REV. | FIRST ISSUE | M.H | 05-10-07 | ---- | | | |
| X ± 0.5 | X° ± 1° | | | | | TITLE: ACJC9SL C-TYPE CUSTOMER DRAWING | | | | CHANGE DETAILS | | | |
| X.X ± 0.1 | X*X° ± 30' | | | | | | | | | BY DATE CHG/No | | | |
| X.XX ± 0.05 | X*X*X° ± 15' | MATERIAL: REFER TO COMPONENT | | | | DATE: 19-03-09 | | Amphenol | | | | | |
| DO NOT SCALE | | FINISH: REFER TO COMPONENT | | APP'D: P.M | | DATE: 19-03-09 | | Amphenol Australia Pty.Ltd, 2 Fireways Blvd, Keysborough, Vic3173 | | | | | |
| DIMENSIONS IN MILLIMETRES | | THIRD ANGLE PROJECTION | | SCALE: 2:1 UDS | | PART No: ACJC9SL | | SIZE: A3 | | DRAWING NO. 55010435-000-1 | SHEET 2 OF 2 | | |