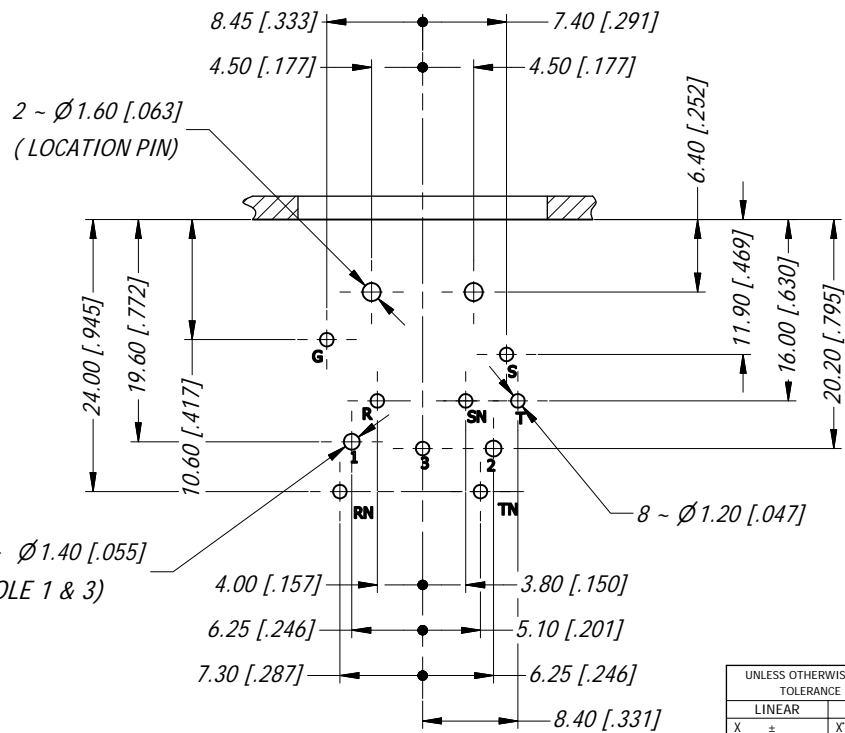
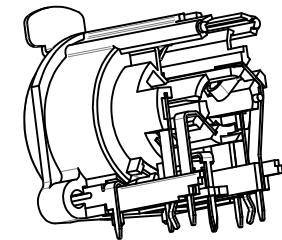
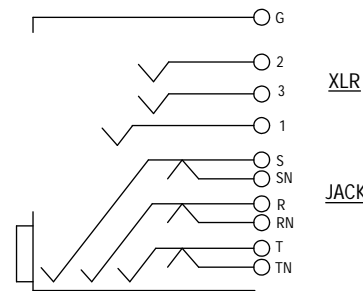


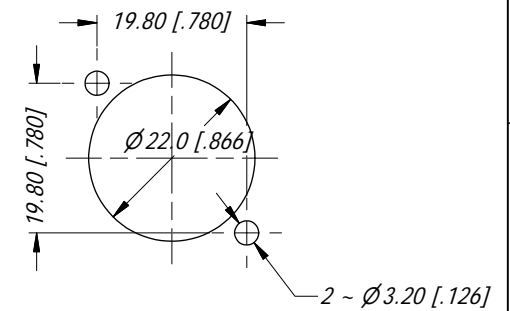
MIN MOUNTING PITCH



PCB LAYOUT
SCALE 3:2



CONTACT SCHEMATIC DIAGRAM



PANEL CUT OUT

UNLESS OTHERWISE SPECIFIED TOLERANCE TO BE

LINEAR		ANGULAR	
X ±	X' ±1	X' ±1	
X.X ±	X.X' ± 30'	X.X' ± 30'	
X.XX ±	X.X' ± 15'	X.X' ± 15'	
BREAK ALL SHARP EDGES AND REMOVE ALL BURRS			
DO NOT SCALE			
DIMENSIONS IN MILLIMETRES			

THIS DOCUMENT IS THE PROPERTY OF AMPHENOL AUSTRALIA PTY. LTD.
NO PART THEREOF MAY BE REPRODUCED AND USED
WITHOUT THE PRIOR WRITTEN CONSENT OF THE OWNER.

MATERIAL: REFER COMPONENTS	DRN:	T.N	DATE:	29/02/12
	CKD:	P.M	DATE:	29/02/12
	APP'D:	P.M	DATE:	29/02/12
	SCALE:	1:1	SIZE:	A4

Amphenol Amphenol Australia Pty.Ltd,
2 Fiveways Blvd, Keysborough, VIC 3173

TITLE: C TYPE LOW PROFILE 9 CONTACTS HORZ CUSTOMER DWG	PART No:	ACJC9AH	REV	1
	DRAWING No.	55010807-000	SHEET	4 /16
	CB4.17.F1			

