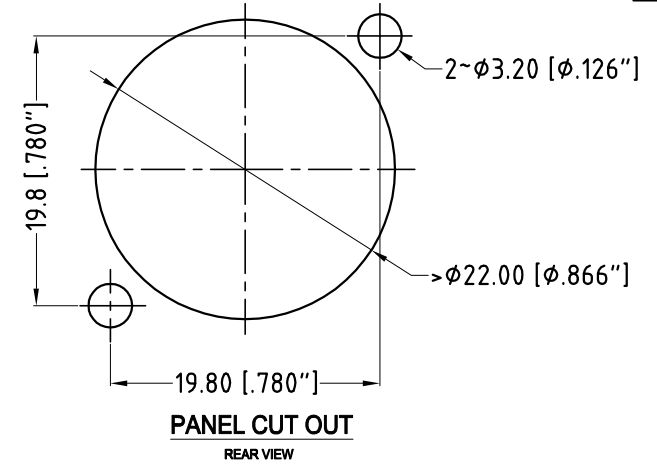
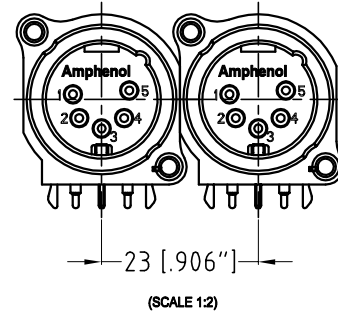
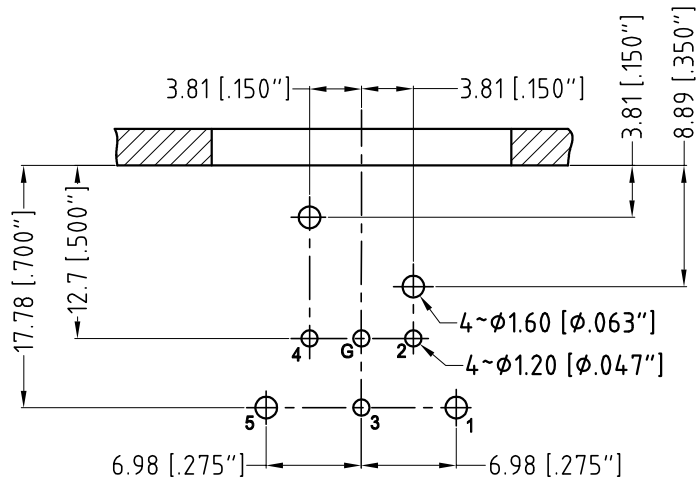
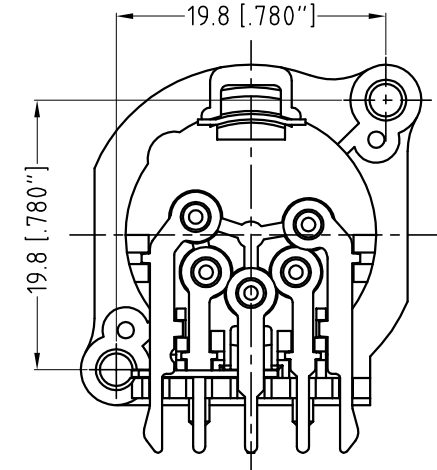
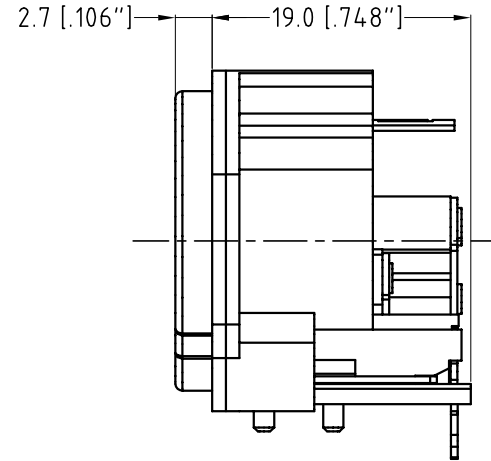
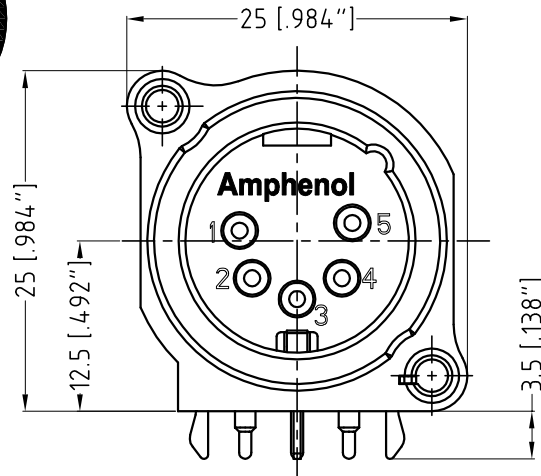


LEGEND  = KEY PRODUCT CHARACTERISTICS



REVISION HISTORY

REV	DESCRIPTION	DATE	BY	CHG/No
0	FIRST ISSUED	20-08-08	M.H	---



PCB-LAYOUT

COMPONENT SIDE
TOLERANCE: ±0.05mm [.002"]

UNLESS OTHERWISE SPECIFIED TOLERANCE TO BE		THIS DOCUMENT IS THE PROPERTY OF AMPHENOL AUSTRALIA PTY. LTD. NO PART THEREOF MAY BE REPRODUCED AND USED WITHOUT THE PRIOR WRITTEN CONSENT OF THE OWNER			
LINEAR	ANGULAR	MATERIAL:	DRN:	DATE:	TITLE:
X ±0.50 X.X ±0.20 X.XX ±0.10	X° ±1 X.X° ±30 X.XX° ±6'	REFER TO COMPONENTS	A.O	20-08-08	
BREAK ALL SHARP EDGES AND REMOVE ALL BURRS		FINISH:	CKD:	DATE:	PART No: AC5MAH-AU
DO NOT SCALE		REFER TO COMPONENTS	M.H	20-08-08	
DIMENSIONS IN MILLIMETRES		APP'D:	P.M	DATE:	DRAWING NO.
				20-08-08	55010444-000-1
				SCALE:	SHEET
				1:1	1/1

Amphenol

Amphenol Australia Pty.Ltd,
2 Fiveways Blvd, Keysborough, VIC 3173

AC5MAH-AU
HORIZONTAL MALE
CUSTOMER DRAWING

CAD FILE: 55010444.000110

PART No:
AC5MAH-AU
DRAWING NO.
55010444-000-1
SHEET
1/1