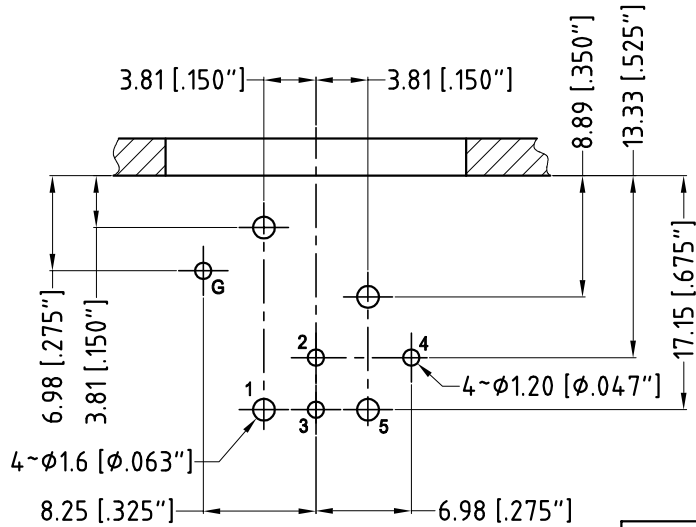
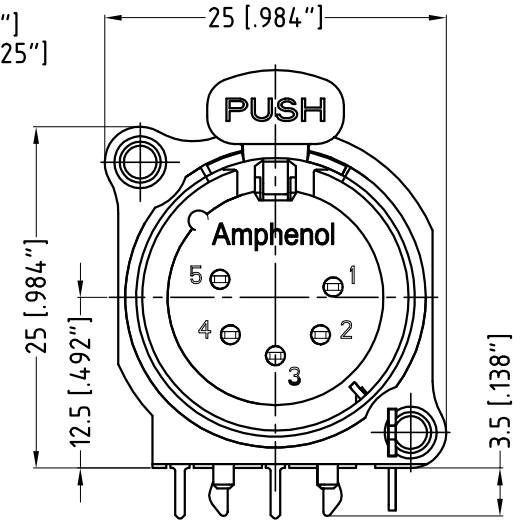
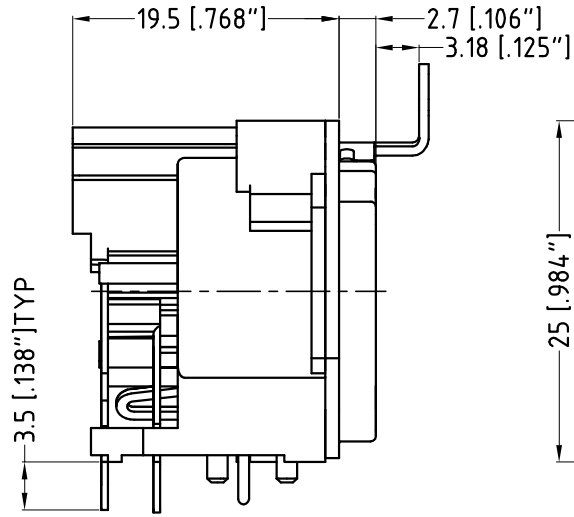
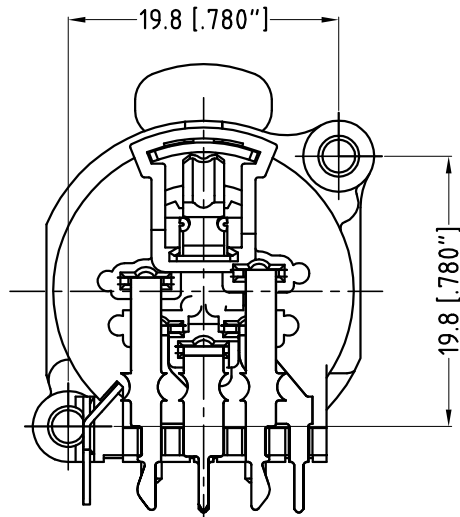


LEGEND = KEY PRODUCT CHARACTERISTICS

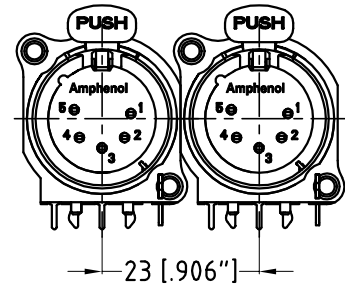


REVISION HISTORY				
REV	DESCRIPTION	DATE	BY	CHG/No
0	FIRST ISSUED	21-08-08	M.H	---

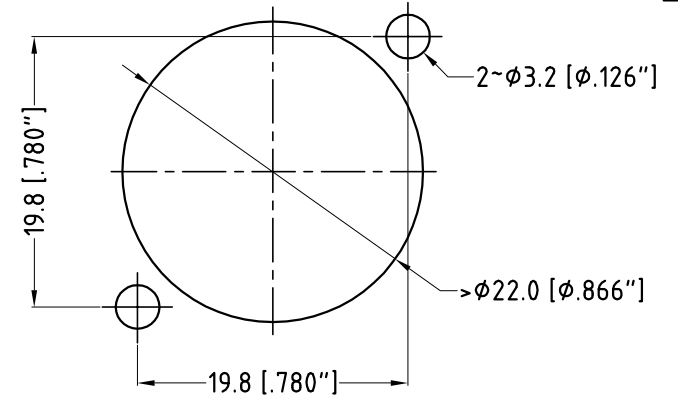


PCB-LAYOUT

COMPONENT SIDE
TOLERANCE: ±0.05mm [0.002"]



(SCALE 1:2)



PANEL CUT OUT

REAR VIEW

UNLESS OTHERWISE SPECIFIED TOLERANCE TO BE		THIS DOCUMENT IS THE PROPERTY OF AMPHENOL AUSTRALIA PTY. LTD. NO PART THEREOF MAY BE REPRODUCED AND USED WITHOUT THE PRIOR WRITTEN CONSENT OF THE OWNER			
LINEAR	ANGULAR	MATERIAL: REFER TO COMPONENTS	DRN: A.O	DATE: 20-08-08	TITLE: AC5FAH-AU HORIZONTAL FEMALE CUSTOMER DRAWING
X ±0.5 XX ±1 XXX ±0.5	X' ±1 X'X' ±30' X'XX' ±15'		CKD: M.H	DATE: 20-08-08	
BREAK ALL SHARP EDGES AND REMOVE ALL BURRS		FINISH: REFER TO COMPONENTS	APP'D: P.M	DATE: 20-08-08	DRAWING NO. 55010445-000-1
DO NOT SCALE			SCALE: 1:1	SIZE: A4	
DIMENSIONS IN MILLIMETRES		THIRD ANGLE PROJECTION		CAD FILE: 55010445000110	PART No: AC5FAH-AU

Amphenol

Amphenol Australia Pty.Ltd,
2 Fiveways Blvd, Keysborough, VIC 3173

PART No:
AC5FAH-AU

DRAWING NO.
55010445-000-1

SHEET
1/1