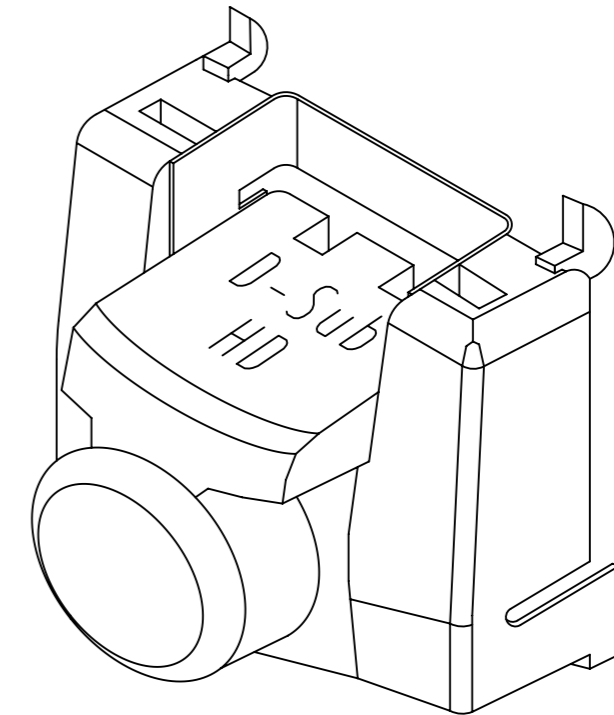


Positionierer D-Sub HD im Set enthalten.  
Ersatzteil-Nr. 09 99 000 0536

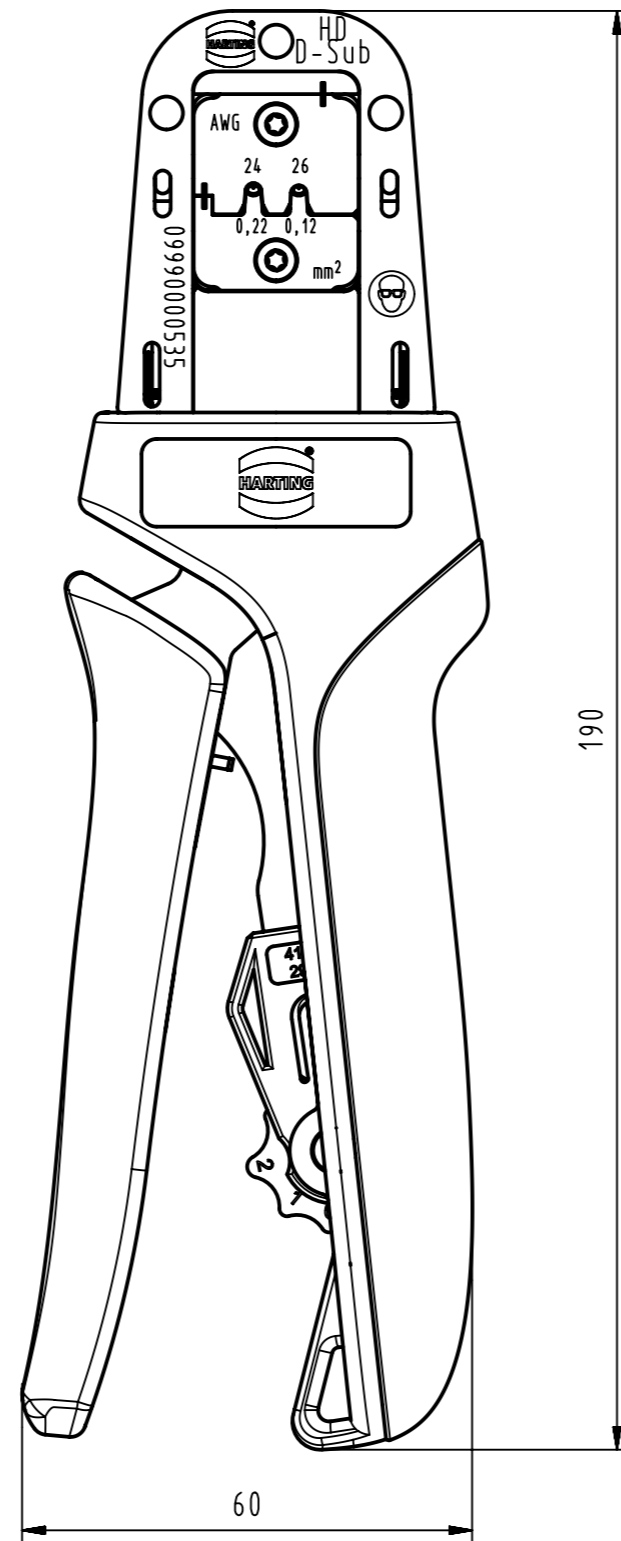
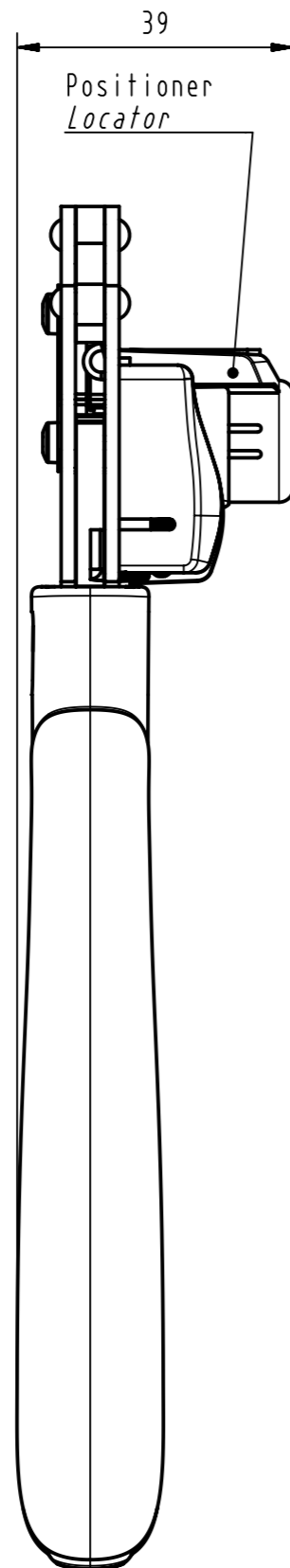
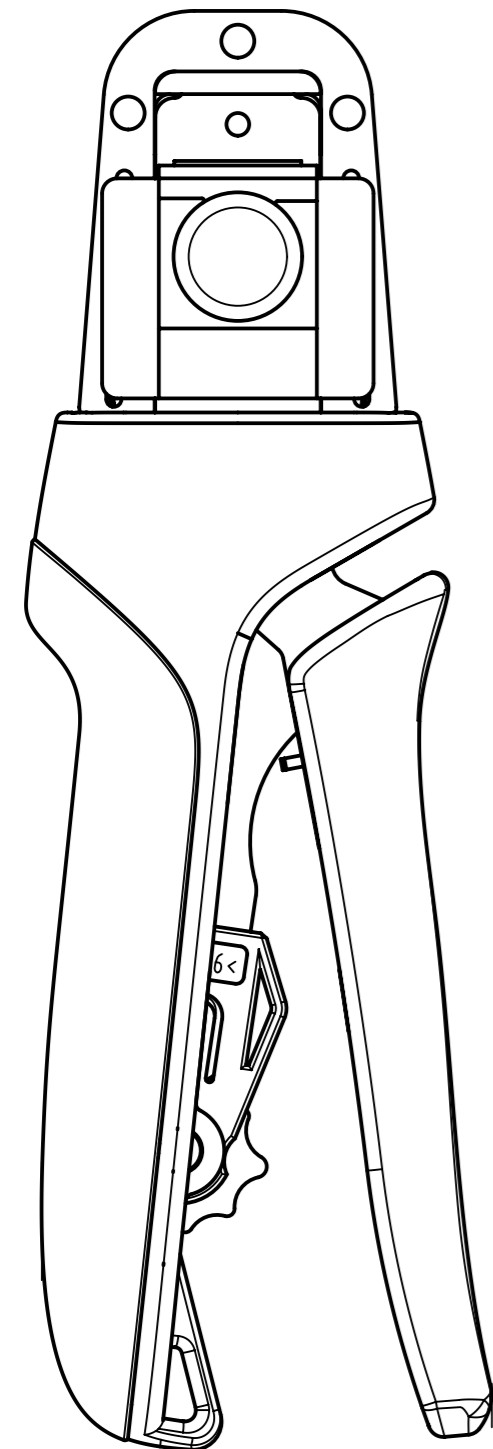
Locator D-Sub HD scope of delivery.  
Spare part no. 09 99 000 0536



Anwendungsbereich: D-Sub HD - Kontakte  
Application range: D-Sub HD - contacts  
Leiterquerschnitt: Profil 1: 0,22 mm<sup>2</sup> (AWG 24)  
wire gauge : Profil 2: 0,12 mm<sup>2</sup> (AWG 26)

für Crimpkontakte:  
for crimp contacts:

09 56 000 8277	Feder / female	3	26-24	max. 1,5 mm
09 56 000 8275	Feder / female	0,76 µm Au	26-24	max. 1,5 mm
09 56 000 8177	Messer / male	3	26-24	max. 1,5 mm
09 56 000 8175	Messer / male	0,76 µm Au	26-24	max. 1,5 mm
Kontakt Nr. contact no.	Messer / Feder male / female	AFS PL	AWG AWG	Isolationsø Insulationø



Linearer Hub  
Straight action principle

Enriegelbare Zwangssperre  
Ratchet release

Kontaktpositionierung mit Positionierer  
Contact positioning with locator

Präzise geschliffene Profile  
Precisely ground profiles

Gewicht ca. 350 g  
Weight approx. 350 g

	All rights reserved	Created by WAERMKER	Inspected by HAERTLING	Standardisation HOFFMANN	Date 2012-10-23	State Final Release
	Department EC PD - DE	Title CRIMP-TOOL - D-Sub HD single contacts				Doc-Key / ECH-Nr. 100516361/UGD/001/A 50000056145
HARTING Electronics GmbH D-32339 Espelkamp		Type TB	Number 09990000535		Rev. A	Page 1/1