

## Tech Data

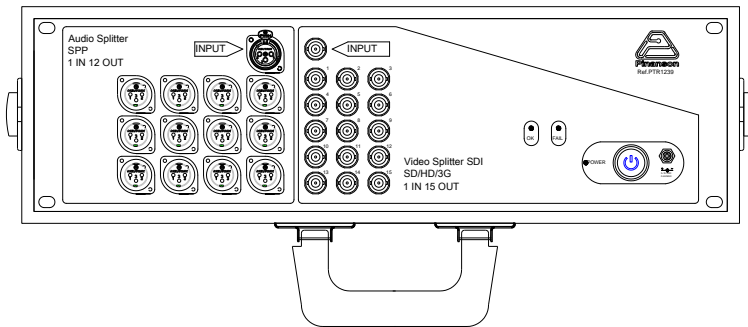
REF.: PTR1239

## SIGNAL DISTRIBUTION

Press Splitter + Digital Video Splitter

SVD 15 + SPP 12

FLIGHT CASE FORMAT



Drawing: Flight Case format (Briefcase)

## Description

- **Inputs:**
  - Video: 1 BNC 75  $\Omega$
  - Audio: 1 XLR-F
- **Outputs:**
  - Video: 15 BNC 75  $\Omega$ .
  - Audio: 12 XLR-M
- **Distribution** of 3G/HD/SD-SDI video, line level audio and DVB-ASI 270 Mbit/s signals.

### VIDEO DISTRIBUTOR:

- **Equalizer** for compensating long cable distances and **re-clocking**.
- **Monitoring** with LED of fail and correct input signal.

### AUDIO DISTRIBUTOR:

- Made up with **high quality transformers** with high **CMRR (\*)** (90 dB@1KHz).

(\*) Common Mode Rejection Ratio.

Signal formats according to standards:

SMPTE 424M (3G-SDI)  
 SMPTE 292M (HD-SDI)  
 SMPTE 259M (SD-SDI)  
 DVB-ASI (a 270 Mbit/s)

**Bit Rate:** 143 Mbit/s, 270 Mbit/s, 1.483 Gbit/s, 1.485 Gbit/s, 2.967 Gbit/s y 2.970 Gbit/s.

**Formats:** 625 i 50, 525 i 59.94, 720 p 50, 720 p 59.94, 1080 i 50, 1080 i 59.94, 1080 p 50, 1080 p 59.94.

## Tech Data

REF.: PTR1239

## SIGNAL DISTRIBUTION

Press Splitter + Digital Video Splitter

SVD 15 + SPP 12

FLIGHT CASE FORMAT

## Video Splitter Description

The **SVD SDI AR/MF I:1 O:8** offers distribution of **1 input into 8 outputs of SDI digital video**.

- Provides **signal equalization** so that allows compensating losses that may happen using long cable lengths and **re-clocking**. The device operation doesn't manipulate the audio data frame.
- This splitter distributes **3G/HD/SD-SDI and signals DVB-ASI 270 Mbit/s** signal (with four outputs available in this case) (\*).
- The outputs **are copies** of the input signal.
- The "**correct**" and "**fail**" input signal can be seen by LEDs named **INPUT OK** and **INPUT FAIL**.

(\* If the distribution is of DVB-ASI 270 Mbit/s signal, connect only the first 4 odd outputs.

## Audio Splitter Description

The **SPP I:1 O:12** is a passive press splitter with **1 input to 12 outputs** through XLR-3 (XLR-M and XLR-F). This **Passive Splitter with 12 outputs** is a device that makes possible the line distribution into up to 12 outputs (isolated by transformer) available for press equipment.

This splitter works with line signal (**nominal line level +4 dBu**) and has a very good frequency response (**deviation from 20Hz-20KHz ±0.8 dB**) and a **high CMRR (90 dB)**.

## Tech Data

## SIGNAL DISTRIBUTION

REF.: PTR1239

Press Splitter + Digital Video Splitter

SVD 15 + SPP 12

FLIGHT CASE FORMAT

## Applications

Distribution of **SDI video signal** and **line level audio** for **PRESS ROOMS** where up to 12 (isolated by transformers) audio signal and up to 15 (up to 3G-SDI) digital video signals, is needed

## Electrical Characteristics

### VIDEO

| Connector            | Input                 |                        | Output                |        |
|----------------------|-----------------------|------------------------|-----------------------|--------|
|                      | BNC                   |                        | BNC                   |        |
| Impedance            | 75 $\Omega$ $\pm 1\%$ |                        | 75 $\Omega$ $\pm 1\%$ |        |
| Return Loss          | Up to 3 GHz           | >10 dB                 | Up to 3 GHz           | >10 dB |
|                      | Up to 1.5 GHz         | >15 dB                 | Up to 1.5 GHz         | >15 dB |
| Number               | 1                     |                        | 8                     |        |
| Amplitude            | 800 mVpp $\pm 10\%$   |                        |                       |        |
| Time up/down 20%-80% | Output                |                        |                       |        |
|                      | SD 270 Mbit/s         | 640 ps typ.            |                       |        |
|                      | HD 1.5 Gbit/s         | 95 ps typ.             |                       |        |
|                      | HD 3Gbit/s            | 95 ps typ.             |                       |        |
| Power                | Voltage               | 100-240 Vac            |                       |        |
|                      | Connector             | Screw connector 2.5 mm |                       |        |
|                      | Voltage Range         | 5 - 15 Vdc             |                       |        |
|                      | Nominal Current       | 400 mA max. (VIN = 5)  |                       |        |
| Equalization         | Automatic             |                        |                       |        |
| Re-clocking          | Automatic             |                        |                       |        |
| Temperature Range    | 0-50 °C               |                        |                       |        |

## Tech Data

## SIGNAL DISTRIBUTION

REF.: PTR1239

Press Splitter + Digital Video Splitter

SVD 15 + SPP 12

FLIGHT CASE FORMAT

### Electrical Characteristics

#### AUDIO

|                                                       |                       |                                   |
|-------------------------------------------------------|-----------------------|-----------------------------------|
| Max. Input Level                                      | 50 Hz, THD+N = 0.4%   | + 8 dBu                           |
|                                                       | 1 KHz, THD+N = 1%     | +26 dBu                           |
| Source Impedance<br><i>(Balanced, +4 dBu, 1 KHz)</i>  | 150Ω                  |                                   |
| Load Impedance<br><i>(Balanced, +4 dBu, 1 KHz)</i>    | 1KΩ Ω                 |                                   |
| Insertion Loss<br><i>(Entradas/Balanced Outputs)</i>  | Without load:<br>0 dB | With load (12 outputs):<br>-2.3dB |
| THD + N<br><i>(4dBu, 1KHz)</i>                        | ≤ 0.05%               |                                   |
| IMD<br><i>(+4dBu, 60 Hz y 7KHz)</i>                   | ≤ 0.06%               |                                   |
| Frequency Response<br><i>(+4 dBu, 20 Hz – 20 KHz)</i> | Deviation             | ± 0.8 dB                          |
| SNR<br><i>(+ 4 dBu, 1KHz, BW 20 KHz)</i>              | 118 dB                |                                   |
| CMRR<br><i>(4dBu, 1KHz)</i>                           | 90 dB                 |                                   |

## Tech Data

REF.: PTR1239

## SIGNAL DISTRIBUTION

Press Splitter + Digital Video Splitter

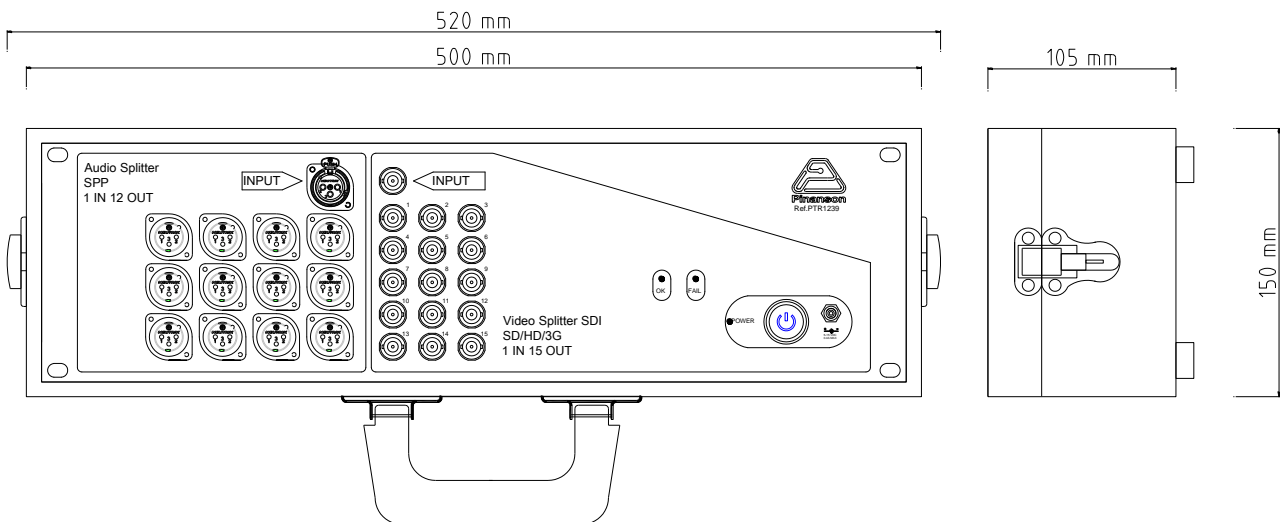
SVD 15 + SPP 12

FLIGHT CASE FORMAT

## Physical Characteristics

### Flight Case format (Briefcase)

- Extruded aluminium panel.
- Finish: vinyl laminated screen.



## Tech Data

REF.: PTR1239

## SIGNAL DISTRIBUTION

Press Splitter + Digital Video Splitter

SVD 15 + SPP 12

FLIGHT CASE FORMAT

## Tests

Audio measurements are done with *Audio Precision APx515 analyser*.



Web: [www.pinanson.com](http://www.pinanson.com)  
@: [pinanson@pinanson.com](mailto:pinanson@pinanson.com)

PINANSON S.L  
Avda. Constitucion, 40. Mondejar (Guadalajara). SPAIN.  
Telephone: +34 949 385 444 · Fax: +34 949 385 643

**Review: January 2015**

For possible changes due to continuous product improvements; Pinanson S.L. reserves the right to change the showed data in this document without notice. The data presented here correspond to the time it was compiled.