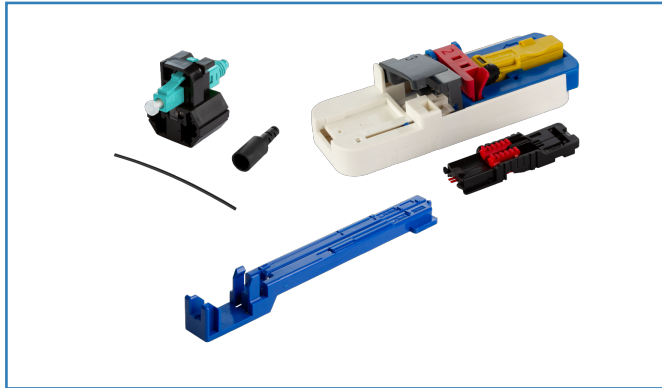


Data sheet

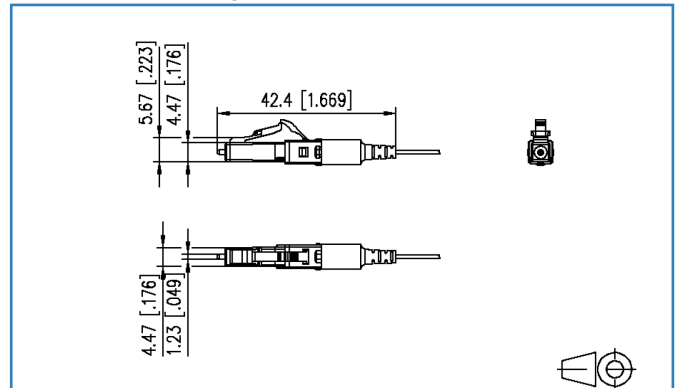
OpDAT FAST™ connector kit LC PC OM3/OM4
100 pieces for buffered fibers Ø 0.25 + 0.9 mm
incl. cleaver set and fiber guide

P/N
1509MAJO010C-F
EAN 4251394629636
 2019/09/07

Illustrations



Dimensional drawing



See enlarged drawings at the end of document

Product specification

- Field-attachable fiber optic connector for multimode technology
- no polishing, no gluing during assembly on site
- simple, easy to learn, fast and cost-effective installation in less than two minutes
- Available with connector types LC and SC for multimode (suitable for OM3 and OM4). OM2 versions on request.
- plug kits for FO fibers with Ø 0.25 and Ø 0.9 mm
- plug kits for fibre optic cables with Ø 2.0 and Ø 3.0 mm
- the plug can be assembled up to three times
- every plug has a serial number, so that traceability is possible at any time
- Included in the scope of delivery depending on the variant:
 - a maintenance-free separator (Cleaver). The Cleaver can be used up to 200 times.
 - a cable assembly kit for easy cable assembly
 - a fiber guide for easy insertion of the fiber into the connector
- fields of application:
 - repairs in the field
 - in areas which are difficult to access or limited in space
- Versions for fibers: 10 pieces without tools / 20 or 100 pieces with Cleaver and fibre guide
- Variants for cables: 10 pieces without tools / 20 or 100 pieces with Cleaver, cable assembly set and fibre guide



Data sheet

OpDAT FAST™ connector kit LC PC OM3/OM4 100 pieces for buffered fibers Ø 0.25 + 0.9 mm incl. cleaver set and fiber guide

P/N
1509MAJ0010C-F
EAN 4251394629636
2019/09/07

Technical Data

General Data	
Fields of application	Structured building cabling, Consolidation points Office Fiber to the Desk, Data center
Design	plug, field assembly
Transmission technology	Fiber optic
Color	aqua
Dimensions	
Dimension (L x W x H)	42 mm x 4.47 mm x 4.47 mm
Dimension (L x W x H)	1.653 in. x 0.175 in. x 0.175 in.
Mode type of the fiber	Multimode
Connections/interfaces	
Connector technology interface 1	mechanical splice, fibre cut straight
Connector technology interface 2	LC
Single fibre diameter (min. - max.)	
Single fibre diameter	0.9 mm mm
Cable access/outlet	180°
Electrical characteristics	
Insertion loss	0.2 bis 0.4 dB dB
Return loss	min. 35 dB dB
Mechanical characteristics	
Connector type	simplex
Mounting method	snap-in function
Materials and material properties	
Material - Housing	Plastics
Material - Cable boot	elastomer, flame-retardant and halogen free
Material - Ferrule	Ceramic
Material - Dust protection	elastomer, flame-retardant and halogen free
RoHS	compliant

Data sheet

Page 3/4

OpDAT FAST™ connector kit LC PC OM3/OM4 100 pieces for buffered fibers Ø 0.25 + 0.9 mm incl. cleaver set and fiber guide

P/N
1509MAJO010C-F
EAN 4251394629636
2019/09/07

Technical Data

Environmental conditions

Temperature (min. - max.)

Temperature - Storage °C	-25 °C - 70 °C
Temperature - Storage °F	-13 °F - 158 °F
Temperature - Operating °C	-25 °C - 70 °C
Temperature - Operating °F	-13 °F - 158 °F

The product meets the following standards

Fibre optic connector interfaces	IEC 61754-4 / ANSI/TIA-604-3
Fibre optic connector interfaces	IEC 61754-4

Classifications

ETIM 7.0	EC001122
----------	----------



Data sheet

Page 4/4

OpDAT FAST™ connector kit LC PC OM3/OM4
100 pieces for buffered fibers Ø 0.25 + 0.9 mm
incl. cleaver set and fiber guide

P/N
1509MAJO010C-F
EAN 4251394629636
2019/09/07

Illustrations

Dimensional drawing

