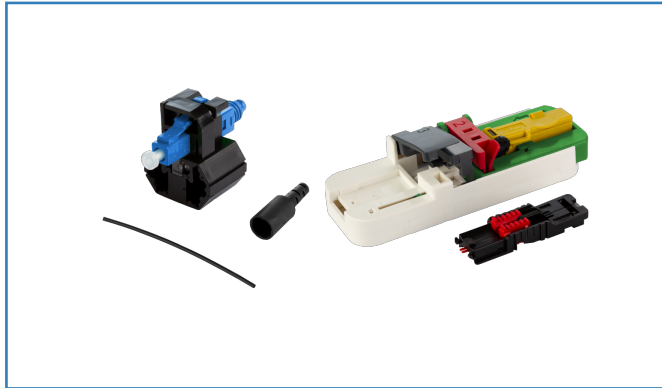


Data sheet

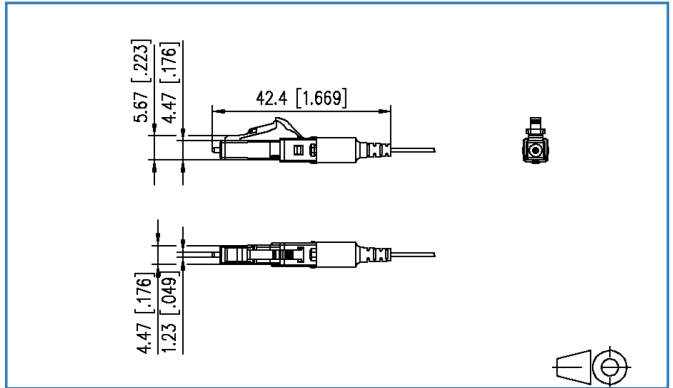
OpDAT FAST™ Hybrid connector kit LC UPC OS2
20 pieces for buffered fibers Ø 0.25 + 0.9 mm
incl. cleaver set and fiber guide

P/N
1509QAJ0002C-E
EAN 4251394625331
 2019/09/07
 Version: B

Illustrations



Dimensional drawing



See enlarged drawings at the end of document

Product specification

- Field-attachable fiber optic connector for single-mode technology
- with hybrid technology: refractive index gel plus opto-elastomer guarantee very good and constant optical values
- no polishing, no gluing during assembly on site
- simple, easy to learn, fast and cost-effective installation in less than two minutes
- Available with connector types LC and SC for singlemode (UPC and APC)
- plug kits for FO fibers with Ø 0.25 and Ø 0.9 mm
- plug kits for fibre optic cables with Ø 2.0 and Ø 3.0 mm
- the plug can be assembled up to three times
- every plug has a serial number, so that traceability is possible at any time
- Included in the scope of delivery depending on the variant:
 - a maintenance-free separator (Cleaver). It provides an oblique cut so that high return loss values are achieved. The Cleaver can be used up to 200 times.
 - a cable assembly kit for easy cable assembly
 - a fiber guide for easy insertion of the fiber into the connector
- fields of application:
 - for FTTH and FITH connections
 - repairs in the field
 - in areas which are difficult to access or limited in space



Data sheet

Page 2/5

**OpDAT FAST™ Hybrid connector kit LC UPC OS2
20 pieces for buffered fibers Ø 0.25 + 0.9 mm
incl. cleaver set and fiber guide**P/N
1509QAJ0002C-E
EAN 4251394625331
2019/09/07
Version: B**Product specification**

- for direct mounting on components
- Versions for fibers: 10 pieces without tools / 20 or 100 pieces with Cleaver and fibre guide
- Variants for cables: 10 pieces without tools / 20 or 100 pieces with Cleaver, cable assembly set and fibre guide



Data sheet

OpDAT FAST™ Hybrid connector kit LC UPC OS2 20 pieces for buffered fibers Ø 0.25 + 0.9 mm incl. cleaver set and fiber guide

P/N
1509QAJ0002C-E
EAN 4251394625331
2019/09/07
Version: B

Technical Data

General Data

Fields of application	Structured building cabling, Consolidation points Office Fiber to the Desk, Data center
Design	plug, field assembly
Transmission technology	Fiber optic
Color	blue
Dimensions	
Dimension (L x W x H)	42 mm x 4.47 mm x 4.47 mm
Dimension (L x W x H)	1.653 in. x 0.175 in. x 0.175 in.
Mode type of the fiber	Single mode
Shape	UPC (Ultra Physical Contact)

Connections/interfaces

Connector technology interface 1	mechanical splice, fibre cut diagonally
Connector technology interface 2	LC
Single fibre diameter (min. - max.)	
Single fibre diameter	0.9 mm mm
Cable access/outlet	180°

Electrical characteristics

Insertion loss	0.2 bis 0.5 dB dB
Return loss	min. 50 dB dB

Mechanical characteristics

Connector type	simplex
Mounting method	snap-in function

Materials and material properties

Material - Housing	Plastics
Material - Cable boot	elastomer, flame-retardant and halogen free
Material - Ferrule	Ceramic
Material - Dust protection	elastomer, flame-retardant and halogen free
RoHS	compliant

Data sheet

Page 4/5

OpDAT FAST™ Hybrid connector kit LC UPC OS2
20 pieces for buffered fibers Ø 0.25 + 0.9 mm
incl. cleaver set and fiber guide

P/N
1509QAJ0002C-E
EAN 4251394625331
2019/09/07
Version: B

Technical Data

Environmental conditions

Temperature (min. - max.)

Temperature - Storage °C	-25 °C - 70 °C
Temperature - Storage °F	-13 °F - 158 °F
Temperature - Operating °C	-25 °C - 70 °C
Temperature - Operating °F	-13 °F - 158 °F

The product meets the following standards

Fibre optic connector interfaces	IEC 61754-20 / ANSI/TIA-604-10-A
Fibre optic connector interfaces	IEC 61754-20

Classifications

ETIM 7.0	EC001122
----------	----------

Packing details

20 pc(s)



Data sheet

Page 5/5

OpDAT FAST™ Hybrid connector kit LC UPC OS2
20 pieces for buffered fibers Ø 0.25 + 0.9 mm
incl. cleaver set and fiber guide

P/N
1509QAJ0002C-E
EAN 4251394625331
2019/09/07
Version: B

Illustrations

Dimensional drawing

