

SUMMARY



Image is for illustrative purpose only

Wires

Low voltage 4

Series 2P
Termination type Female solder
IP rating 66
AWG wire size 0.00 - 0.00
Cable Ø 3.20 - 9.20 mm
Status active

Download

[Request a quote](#)

[Catalog](#)

TECHNICAL DETAILS

Mechanics

Shell Style/Model CN*: Fixed receptacle, nut fixing, watertight (IP 66)
Keying 3 keys (alpha=0, gamma=60; Plug: male contacts; Receptacle: female contacts)
Housing Material PSU (Polysulfone), black
Weight 4.91 g

Performance

Configuration 2P.M04 : 4 Low V.
Insulator L: PEEK for solder contacts
Rated Current 15 Amps

Specifications

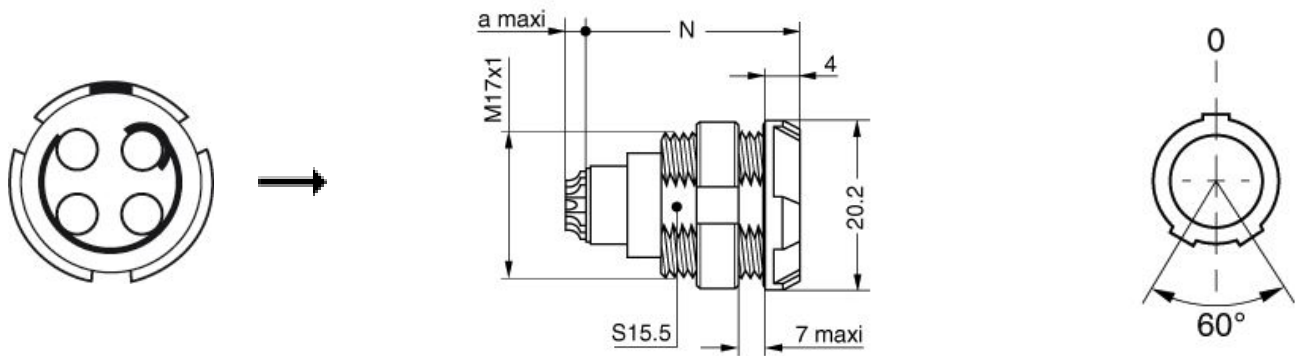
Test voltage (kV rms) Contact-contact: 1.85
Air clearance min.: 0.95 mm
Creepage distance min.: 0.95 mm

Others

Endurance (Shell): >1000 mating cycles
F ret (min): 150 N
F ret (max): 250 N

LEMO products and services are provided "as is". LEMO makes no warranties or representations with regard to LEMO product & services or use of them, express, implied or statutory, including for accuracy, completeness, or security. The user is fully responsible for his products and applications using LEMO components.

DRAWINGS



Dimensions

| | A | L | N |
|-----|------|------|------|
| mm. | 20.2 | 28.7 | 23.8 |
| in. | 0,80 | 1,13 | 0,94 |

RECOMMENDED BY LEMO

Tools

Cables

LEMO products and services are provided "as is". LEMO makes no warranties or representations with regard to LEMO product & services or use of them, express, implied or statutory, including for accuracy, completeness, or security. The user is fully responsible for his products and applications using LEMO components.