

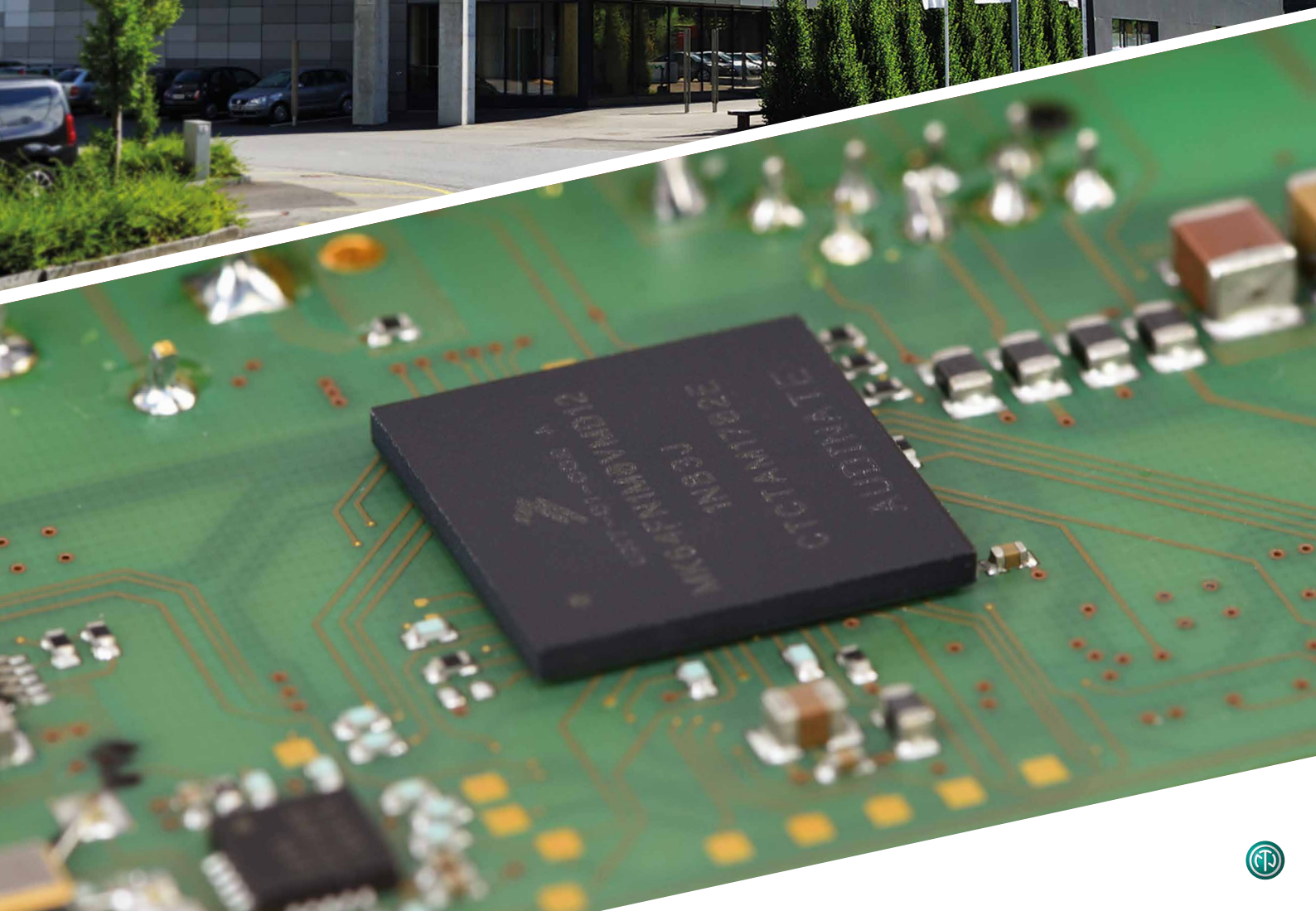
INNOVATIVE SOLUTIONS

NA2-IO-DLINE
Line I/O Dante™ Interface



NEUTRIK®

INNOVATIVE SOLUTIONS



NA2-IO-DLINE

Line I/O to Dante™ Interface

Connect your legacy audio gear to the Dante™ world

- Connect analog audio equipment to a Dante™ network
- Heavy duty adapter for rugged stage conditions
- Lockable audio and network connections
- Convert up to two analog line signals to a Dante™ network
- Feed non Dante™ ready amplifiers, speakers or mixing desks with signals from the Dante™ network
- Mixed mode
- Requires a Power over Ethernet switch or a PoE injector (802.3 af/at; class 1)
- AES67 compliant
- Rack mountable

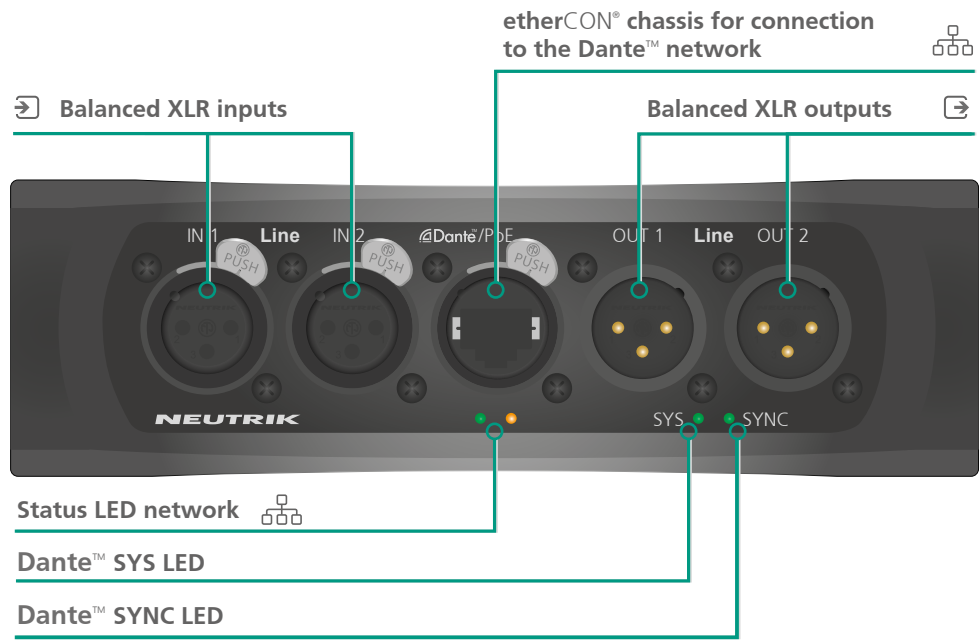
What is it?

The NA2-IO-DLINE is an end-of-network device. It is a breakout box which allows two channels of audio to be integrated into a Dante™ network. Simultaneously, NA2-IO-DLINE converts a Dante™ stream into analog audio signals. Hence, it is possible to use this tiny box to feed analog audio signals into the Dante™ network while at the same time receiving a mix from another Dante™ source.

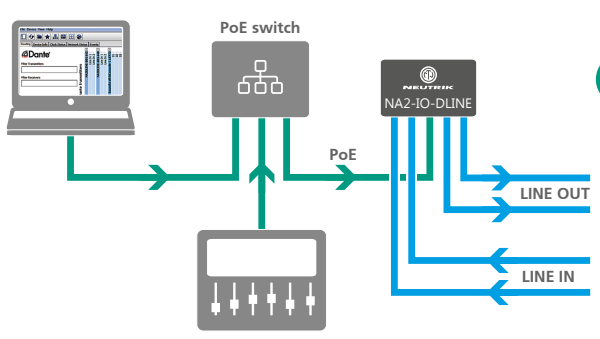
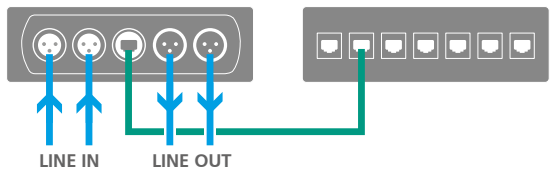
NA2-IO-DLINE is designed for harsh stage conditions. It therefore features lockable chassis connectors for both the audio and network connections. For fixed installations, the rubber protection can be removed. With optional mounting brackets or a rack panel, the box can be mounted below tables, in floor boxes, or in equipment racks.



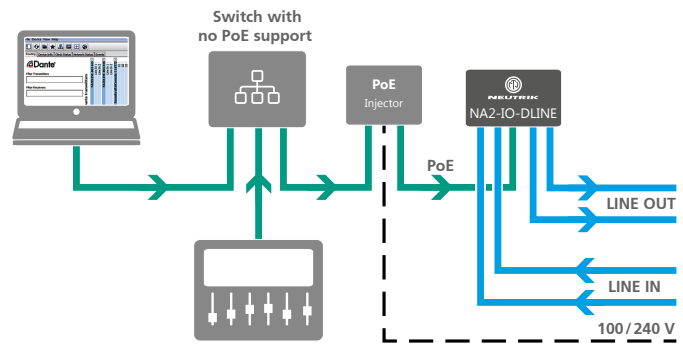
NA2-IO-DLINE FUNCTIONALITY AND FLEXIBILITY



Important:
Requires a Power over Ethernet switch or a PoE injector (802.3af / 802.3at; class1)

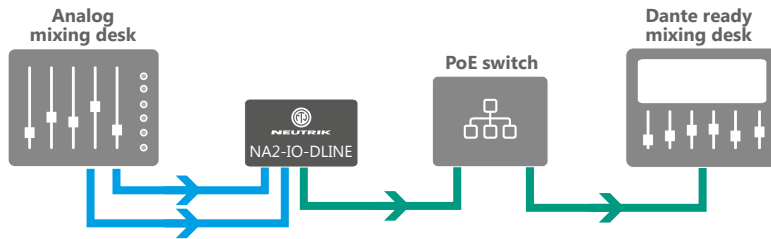


or

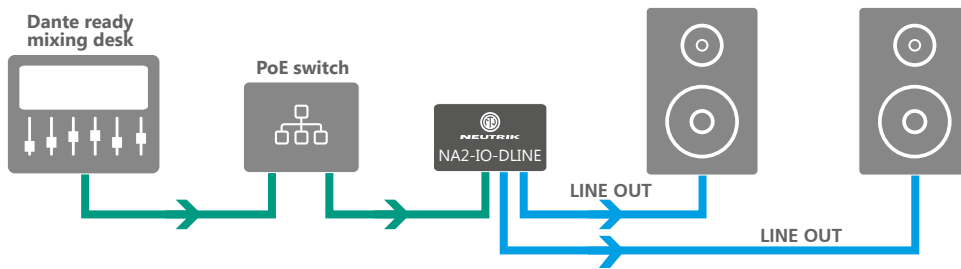


Where to use it?

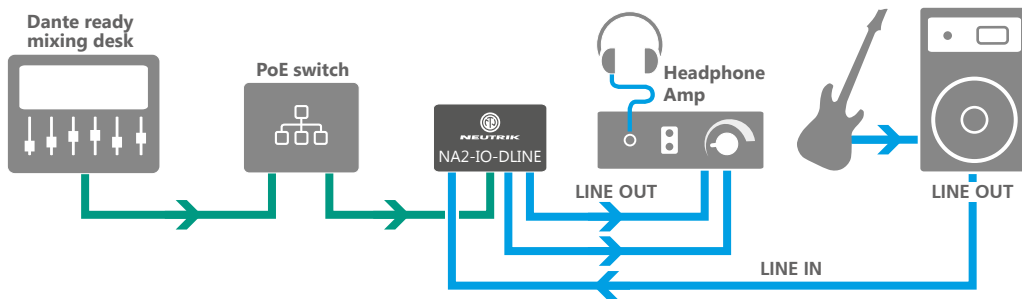
Input application:



Output application:



Input & Output application (Mixed mode):

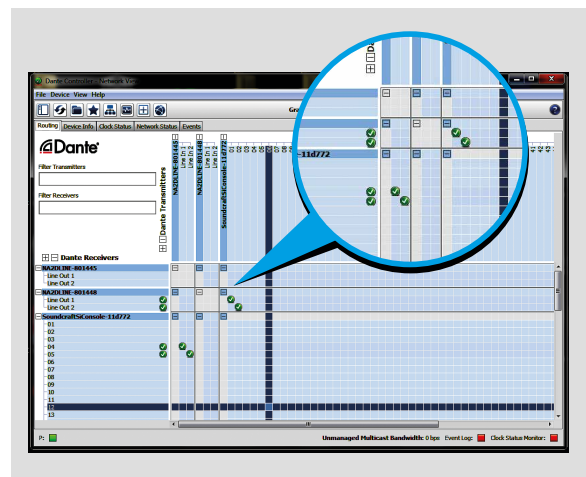


NA2-IO-DLINE

How to set it up?

- 1** Connect the audio lines as required (i.e. audio source to the LINE IN channels; audio destination to the LINE OUT channels)
- 2** Next, enable the Dante™ and power connection via the etherCON® chassis connector. Connect the NA2-IO-DLINE to an Ethernet switch which supports PoE. (If PoE is not supported by the switch in use, deploy an external midspan PoE power injector.)
- 3** Finally configure the audio routing in Dante™ controller. This is software provided by Audinate, free of charge.

For Dante™ related questions, refer to the Audinate web site: www.audinate.com. The Audinate web site features a wealth of manuals, teaching material, FAQs and videos.



- Software provided by Audinate
- Simple click on matrix
- Confirmation by green tick
- Link: www.audinate.com

Technical Data

GENERAL SPECIFICATIONS

Channel	2 INPUT (Line Level) 2 OUTPUT (Line Level)	Bit depth	16, 24 and 32 Bit
Supported sampling rates	44.1 / 48 / 88.2 / 96 kHz	Latency	based on user selection 1 ms (default)
		Ethernet connection	100 BASE-TX (supporting PoE)

ELECTRICAL DATA

Power consumption	< 2 Watt	Power supply	PoE (Power over Ethernet) switch or PoE midspan power injector (according to IEEE 802.3af/at, class 1)
-------------------	----------	--------------	--

Analog Audio Input

Input impedance	6.6 kOhm	Signal to Noise Ratio	> 100 dB
Input Level (Balanced)	22 dBu max.	THD + Noise	< 0.01% @ + 4 dBu, A-Weighting
Frequency Response	20 Hz to 20 kHz (+/- 0.5 dB)	Crosstalk	< -80 dB @ 20 kHz
Dynamic Range	> 100 dB		

Analog Audio Output

Output impedance	< 800 Ohm	Signal to Noise Ratio	> 100 dB
Output Level (Balanced)	16 dBu max.	THD + Noise	< 0.01% @ + 4 dBu, A-Weighting
Frequency Response	20 Hz to 20 kHz (+/- 0.5 dB)	Crosstalk	< -80 dB @ 20 kHz
Dynamic Range	> 100 dB		

MECHANICAL

Weight	0.44 kg (1 pound)		
Dimensions (with rubber protection)	l: 164 mm (6.4 inches) w: 82 mm (3.2 inches) h: 51 mm (2.0 inches)	Dimensions (without rubber protection)	l: 151 mm (5.9 inches) w: 66 mm (2.6 inches) h: 41 mm (1.6 inches)

Audinate®, the Audinate® logo and Dante™ are registered trademarks of Audinate Pty Ltd.