

Gefen PRO



3GSDI to HD Scaler

GEF-3GSDI-2-HDS

User Manual

www.gefenpro.com

ASKING FOR ASSISTANCE

Technical Support:

Telephone (818) 772-9100
(800) 545-6900

Fax (818) 772-9120

Technical Support Hours:

8:00 AM to 5:00 PM Monday through Friday, Pacific Time

For 24 / 7 support, see the back of the product for the support number.

Write To:

Gefen, LLC.
c/o Customer Service
20600 Nordhoff St
Chatsworth, CA 91311

www.gefenpro.com
support@gefenpro.com

Notice

Gefen, LLC reserves the right to make changes in the hardware, packaging and any accompanying documentation without prior written notice.

3GSDI to HD Scaler is a trademark of Gefen LLC

HDMI, the **HDMI** logo, and **High-Definition Multimedia Interface** are trademarks or registered trademarks of HDMI Licensing in the United States and other countries.

© 2011 Gefen, LLC, All Rights Reserved
All trademarks are the property of their respective owners

Rev A5

CONTENTS

1	Introduction
2	Operation Notes
3	Features
4	Front Panel Layout
5	Front Panel Descriptions
6	Back Panel Layout
7	Back Panel Descriptions
8	Connecting the 3GSDI to HD Scaler
8	Wiring Diagram
9	IR Remote Control
10	IR Remote Control Installation
11	IR Remote Control Configuration
12	Menu System
12	General Menu
13	Patterns Menu
13	Output Menu
15	Input Menu
17	Picture Menu
19	Layout Menu
20	Aspect Menu
22	RS-232 Serial Control
23	Functions
40	Supported Video and Graphics Formats
42	Appendix A - Refresh Rates
43	Appendix B - Gamma Look Up Table
44	Rack Mount Safety Information
45	Specifications
46	Warranty

INTRODUCTION

Congratulations on your purchase of the 3GSDI to HD Scaler. Your complete satisfaction is very important to us.

GefenPRO

In the realm of video distribution, certain features are invaluable in a commercial or broadcast environment. Accommodations such as a build-in power supply and flat black rack-mount enclosures set GefenPRO apart from our traditional products. Complex distribution units allow for professional DVI, 3G-SDI, and HDMI signals to be routed and converted easily and seamlessly, while being backed up by a renowned and dependable technical support team. Gefen invites you to explore the GefenPRO product line and hopes that you find the solution that fits your needs.

The GefenPRO 3GSDI to HD Scaler

The Gefen 3GSDI to HD Scaler will take any SDI, HD-SDI, or 3G-SDI video signal and convert it to HDMI 1.3 scaled to the output resolution of the display device. The SDI input signal will simply be converted to an HDMI signal. A user-friendly On-Screen Display will allow the user to select features such as Deep Color conversion and color space. A built-in 720p (60Hz) test pattern is also available without connecting an SDI source, useful for checking the HDMI video output. An SDI loop out and a S/PDIF digital audio output are also provided for monitoring the input SDI source and/or distributing the SDI audio to an external digital amplification device.

How It Works

The 3GSDI to HD Scaler converts an SDI source signal (SD/HD/3GSDI) to an HDMI-compliant A/V signal which is then scaled to optimally fit the output/display device at resolutions of up to 2048x1080p24.

The SDI source device is connected to the SDI input. An HDMI output device is connected to the HDMI A/V output connector. The included power cord is connected and plugged into an available electrical outlet. The SD/HD/3GSDI input signals are converted to the proper output format and scaled to the desired resolution of the output device.

OPERATION NOTES

READ THESE NOTES BEFORE INSTALLING OR OPERATING THE 3GSDI TO HD SCALER

- The built-in On-Screen Display (OSD) provides convenient operation of the Scaler. The supplied IR Remote control operates the OSD. Pages 12 - 20 cover the OSD functions.
- The IR Remote Control IR channel must be identical to that of the Scaler. Please see page 11 for complete details on how to configure the IR Channel.
- The 3GSDI to HD Scaler supports many input and output resolutions. For a complete list of supported formats, see pages 40 - 41.
- Supports SMPTE standards 259M, 292M, SMPTE 274M, SMPTE 296M, ITU-R BT.656 and ITU-R BT.601. Handles 3G-SDI SMPTE 425-A and 425-B / formats 1080P 50/59.94/60.
- Supports HDMI 1.3 with 225 MHz Video Bandwidth, 10-bit Deep Color (RGB & YCbCr 4:4:4 only), and up to 8 channels of converted SDI audio embedded into HDMI.
- Internal software (firmware) may be upgraded via the built-in Serial or USB ports. A DB9 serial cable is provided for this purpose. Note that software updates performed on the USB port will be quicker due to its higher data transfer rate.

FEATURES

Supported HDMI 1.3 Features:

- 225 MHz Video Bandwidth
- 12-bit Deep Color (RGB 4:4:4 and YCbCr 4:4:4)
- Up to 8 channels of PCM audio embedded into HDMI
- Dolby Digital/DTS AC3 encoded audio

Features:

- Maximum image output resolution supported: 2048x1080/24
- Automatic detection of SDI, HDSDI, and 3GSDI formats on the inputs.
- Two built-in test patterns
- Supports 12-bit Deep Color when using YCbCr 4:4:4 or RGB 4:4:4
- Four Aspect ratio modes (Full, Panoramic, Pillar Box, Extract/crop)
- Detail enhancement, noise reduction, motion threshold and gamma settings
- Film Mode produces a progressively scanned output image from an interlaced scanned input image accounting for cadence (i.e. 3:2 / 2:2 pull-down)
- User-friendly on-screen menu system (OSD)
- Configuration of clean aperture size and position
- SDI audio channel selection for audio output
- Custom frame rate and/or video timings on output
- Adjustable input picture size, timings and H/V position
- Color Space and Deep Color output controls
- Brightness, Contrast, and Color range controls
- Monitor Supported Mode disables incompatible menu choices
- French or English support for the on-screen menu (OSD)
- User-selectable IR channel for remote and Scaler
- Blackburst and tri-level Genlock Reference Signal Input
- Field upgradable firmware.

Package Includes

- (1) GefenPRO 3GSDI to HD Scaler
- (1) IR Remote Control Unit
- (1) AC power cord
- (1) Set of Rack Ears

PANEL LAYOUT

Front Panel



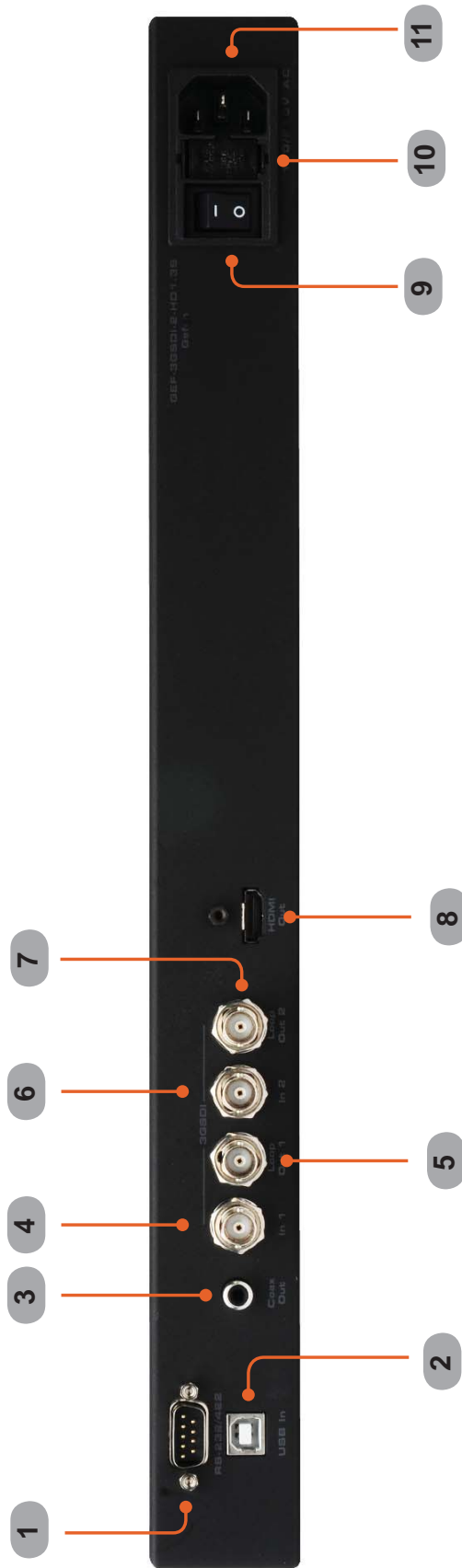
PANEL DESCRIPTIONS

Front Panel

- 1 *IR Window***
Receives signals from the IR Remote Control unit.
- 2 *3GSDI Indicator***
This LED will glow blue when 3G-SDI signals are detected on the input.
- 3 *Power Indicator***
This LED will glow red when the unit is powered.

PANEL LAYOUT

Back Panel



PANEL DESCRIPTIONS

Back Panel

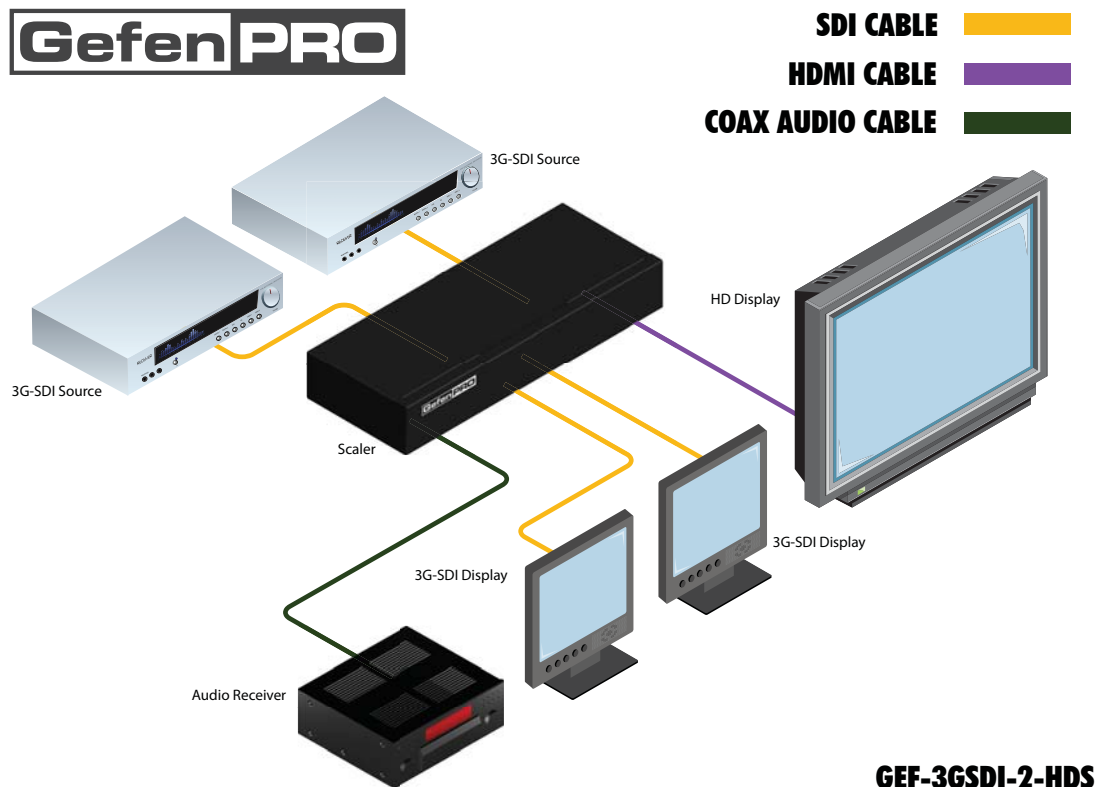
- 1 RS-232 Serial Port**
Connects to the RS-232 control device. The 3GSDI to HD Scaler can be controlled remotely using this port. See page 22 for more information.
- 2 USB Port**
This high-speed USB port is used to update the firmware on the Scaler.
- 3 S/PDIF Output**
Connect a coax cable from this port to an amplifier or other A/V device. Up to 7.1 channels of digital audio are supported.
- 4 3GSDI In 1**
Receives incoming SDI source signal.
- 5 3GSDI Loop Output 1**
Allows monitoring of SDI source signal on Input 1. No scaling is performed.
- 6 3GSDI In 2**
Receives incoming SDI source signal.
- 7 3GSDI Out 2**
Allows monitoring of SDI source signal on Input 2. No scaling is performed.
- 8 HDMI Output**
Connect an HDTV display to this output.
- 9 Power Switch**
Turn the power ON or OFF using this switch.
- 10 Fuse Drawer**
The power receptacle houses a fuse drawer which contains one 250V fuse.
- 11 110 / 220 V AC Power Receptacle**
Connect the included AC power cord from this receptacle to an available electrical outlet.

CONNECTING AND OPERATING THE 3GSDI TO HD SCALER

How to Connect the 3GSDI to HD Scaler

1. Connect up to 2 SD/HD/3GSDI source devices to the BNC inputs on the rear of the 3GSDI to HD Scaler.
2. Use an HDMI to connect an HDTV display to the HDMI output on the rear panel of the 3GSDI to HD Scaler.
3. Optionally connect an SDI monitor to each of the Loop Out connectors on the back of the Scaler.
4. Connect a coax cable from the S/PDIF output to an external amplifier.
5. Connect the included AC power cord to the power receptacle on the rear panel of the 3GSDI to HD Scaler and connect the opposite end of the cable into an available electrical outlet.
6. Power on the monitors and the source devices. Turn on the 3GSDI to HD Scaler by pressing the power switch on the rear of the unit.

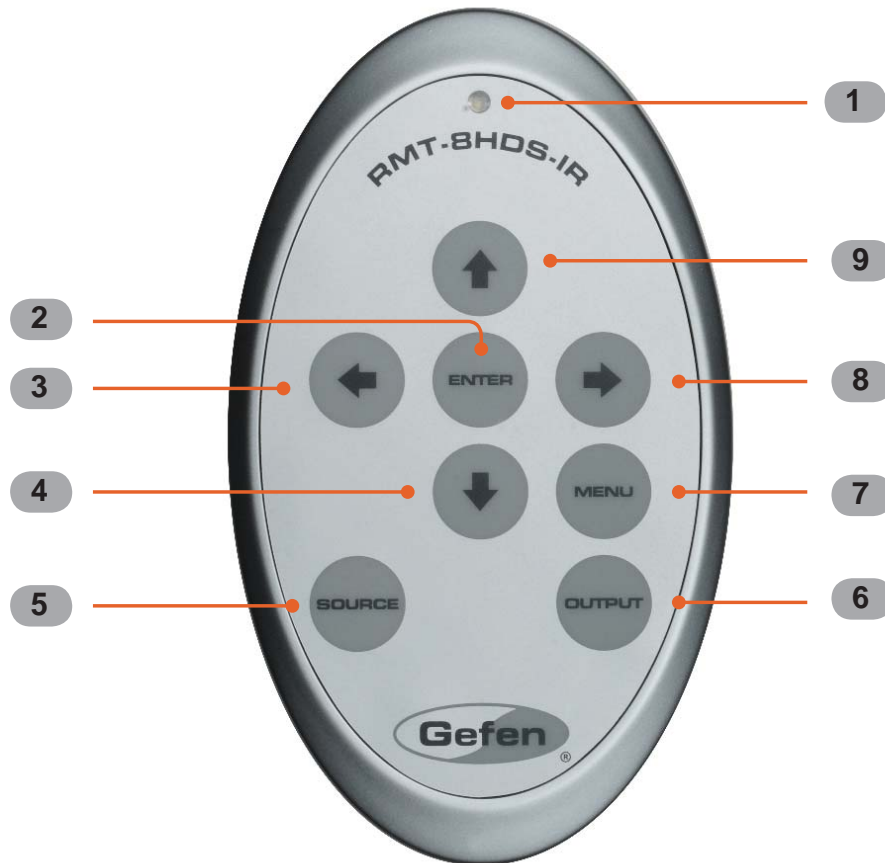
Wiring Diagram for the 3GSDI to HD Scaler



Attention: This product should always be connected to a grounded electrical socket.

IR REMOTE CONTROL

RMT-8HDS-IR



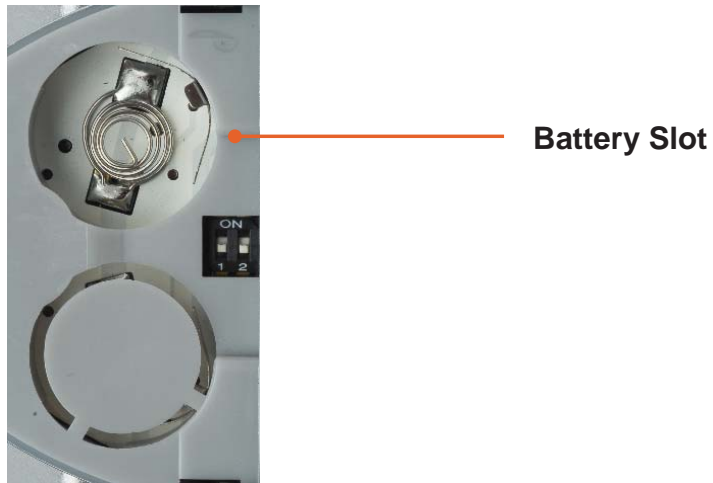
1. LED indicator - lights up whenever a key is pressed, confirming transmission of IR commands to the Scaler.
2. The ENTER button activates a selected menu option in the On-Screen Display.
3. LEFT direction key for menu navigation within the On-Screen Display.
4. DOWN direction key for menu navigation within the On-Screen Display.
5. Source - Cycles between available input sources. The selectable inputs are 3GSDI Input 1 and 3GSDI Input 2. Press once for Input 1; twice for Input 2.
6. Output - Cycles through the available output resolutions. Please see the section "Output Resolutions" on pages 40 - 41 for the table of output resolutions.
7. Menu - Displays the On-Screen Display menu system for control of the Scaler.
8. RIGHT direction key for menu navigation within the On-Screen Display.
9. UP direction key for menu navigation within the On-Screen Display.

IR REMOTE CONTROL INSTALLATION

Installing the IR Remote Control Battery

1. Remove the battery cover on the back of the IR Remote Control unit.
2. Insert the included battery into the open battery slot. The positive (+) side of the battery should be facing up.
3. Replace the battery cover.

The Remote Control unit ships with two batteries. One battery is required for operation and the other battery is a spare.



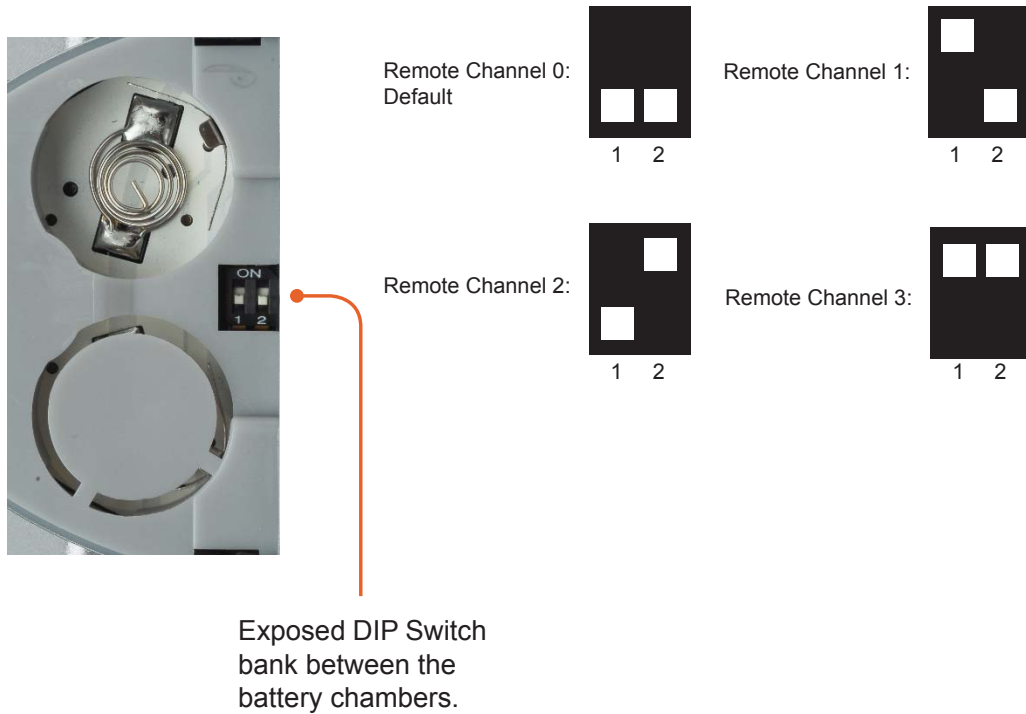
CAUTION: Risk of explosion if battery is replaced by an incorrect type. Dispose of used batteries according to the instructions.

IR REMOTE CONTROL CONFIGURATION

How to Resolve IR Code Conflicts

In the event that IR commands from other remote controls interfere with the supplied IR Remote Control unit, changing the IR channel on the IR Remote Control unit will fix the problem. The IR Remote Control unit has a bank of DIP switches used for setting the IR channel.

The DIP switch bank is located underneath the battery cover.



It is important that the IR channel on the Remote Control unit, matches the IR channel set on the 3GSDI to HD Scaler. For example, if both DIP switches on the IR Remote Control unit are set to IR channel 0 (both DIP switches down), then the 3GSDI to HD Scaler must also be set to IR channel 0. See page 17 on how to change the IR channel on the 3GSDI to HD Scaler.

MENU SYSTEM

General Menu

Information

To access the General Menu, press the Menu button on the IR Remote Control Unit. The General Menu will be the first menu displayed on contains information about the Scaler:

- Host Firmware Version
- Kernel Version
- Configuration Version
- FPGA Version
- Remote Channel

General > Language

From the General Menu, press the ▼ button on the IR Remote Control Unit. Select the Language using the ► and ▼ buttons on the IR Remote Control Unit. Press the Menu button to exit the menu.

- **English**
- **French**

General > Save Configuration

The Save Configuration feature is used to save the current configuration of the Scaler. Once the current configuration is saved, these settings will be restored each time the Scaler is powered.



This function will overwrite any previously saved configuration, including the factory default settings. To restore the factory default settings, press the following buttons in order: Left, Right, and OK buttons. Do not depress all three buttons simultaneously.

MENU SYSTEM

General > Restore Default Configuration

Restores the Scaler to factory default settings. Use this feature to restore default configurations if they have been overwritten by using the **Save Configuration** function.

Patterns Menu

Patterns > Color Bars

Produces a color bar pattern, similar to a standard SMPTE bar pattern used for color calibration.

Patterns > Cross Hatch

Produces a cross hatch pattern. This pattern can be used for “pin cushion” testing (curvature of the image on the screen) or color convergence / divergence.



When a pattern is produced, the current video image will be masked.

Output Menu

The HDMI output signal can be configured from the Output menu. The Output menu controls several functions, such as resolutions, color space, and frame rate.

Output > Available Formats

Selects the output resolution. See pages 40 - 41 for details on output formats.

- **All**
Makes all output formats available.
- **Monitor Supported**
Lists only those output formats which are supported by the monitor connected to the 3GSDI to HD Scaler.

Output > Video Output Format

Lists all the available video output resolutions and timings supported by the 3GSDI to HD Scaler. If the *Output > Available Formats > Monitor Supported* option is selected (see previous page), then only the output resolutions and timings supported by the monitor will be listed. See pages 40 - 41 for a complete list of supported video output resolutions and timings.

Output > Graphic Output Format

Lists all the available graphic output resolutions and timings supported by the 3GSDI to HD Scaler. If the *Output > Available Formats > Monitor Supported* option is selected (see previous page), then only the graphic output resolutions and timings supported by the monitor will be listed. See pages 40 - 41 for a complete list of supported graphic output resolutions and timings.

Output > Custom Output Format

This option allows creation of a custom video output format. 720p is the default. Check the specifications of the output device to ensure compatibility when creating a custom output format.

Output > Link Configuration

Selects the color space of the HDMI output. If the selected color space is incompatible with the EDID of the output device, then one or all items on the Link Configuration menu will be disabled.

- RGB 4:4:4
- YCbCr 4:4:4
- YCbCr 4:2:2

Output > Frame Rate

Selects the output frame rate.

MENU SYSTEM

Output > Deep Color

The 3GSDI to HD Scaler supports Deep Color at 10 bits at 4:4:4. Deep Color can be set to Automatic or Forced to 8 bits. To be able to output HDMI 1.3 in Deep Color at 10 bits you must be using YCbCr 4:4:4 or the RGB 4:4:4 output color space (YCbCr 4:2:2 does not support Deep Color). Some monitors may support Deep Color in only one of the possible link configurations (RGB and YCbCr 4:4:4), while others may not support Deep Color at all. Verify the user manual for the output device color space support information.

- **Automatic**
Transmits in Deep Color whenever possible, according to the EDID information of the output device.
- **Force 8 bits**
Disables the transmission of Deep Color packets.

Input Menu

Input > Input Format

When the Scaler detects a valid SDI/HD-SDI/3G-SDI input signal, the input format is displayed at the bottom of the OSD. The detected input format is also checked in the Input Format menu. Auto Detect is checked if no valid input is found. In such cases, the Scaler can be set to use a specific format. To use a specific input format, set the color space using the *Output > Link Configuration* menu. Setting the color space will avoid mistakes such as confusing 1080p dual link resolution with 1080p single link. With single link resolutions, the input source can be set to input 1 or input 2. Therefore, exert caution when setting the input format.

Input > Link Configuration

The Link Configuration must be set to correctly recognize the type of input signal. Many dual-link signals can be interpreted as single link. The input source *must* be connected first or the Scaler will not allow link configuration to take place. The selected link configuration appears marked in the list of choices. Incompatible choices will cause the Single Link mark to remain selected without an operation being performed.

- Single Link
- Dual Link YCbCr
- Dual Link RGB
- Dual Link 1080p/576p/480p

Input > Clean Aperture

The clean aperture parameters allow an area within the production aperture to be defined. The maximum clean aperture size that may be defined and processed by the 3GSDI to HD Scaler is 2048 pixels by 2048 lines. The minimum clean aperture size is 0 pixels by 0 lines.

Input > Film Mode

Automatically detects repeated field sequences present in interlaced signals, such as: 50 Hz or 60 Hz field sequences (no repeated fields), 60 Hz 3:2 pull-down, including broken / edited sequence detection, 60 Hz 2:2: pull-down, 50 Hz 2:2 pull-down, and Freeze frame.

- Enable
- Disable

Input > Audio

Selects the number of audio channel(s) to be extracted from the video input.

MENU SYSTEM

Input > Remote Channel

The included IR Remote Control Unit (page 9) transmits IR codes on a single infrared channel. A total of four (4) channels are available for use by the 3GSDI to HD Scaler and the IR Remote Control Unit. If the IR Remote Control Unit and /or the 3GSDI to HD Scaler becomes inoperable due to a conflict with another IR device, IR channel can be changed. The IR channel must be changed on the 3GSDI to HD Scaler and the IR Remote Control Unit. Use this menu option to select the IR channel for the 3GSDI to HD Scaler.

Picture Menu

Picture > Image Color

Allows individual adjustment of the Red, Green, and Blue color components, brightness, and Black Level of the image.

- **Contrast Red**
Adjusts the contrast of the Red color component.
- **Contrast Green**
Adjusts the contrast of the Green color component.
- **Contrast Blue**
Adjusts the contrast of the Blue color component.
- **Brightness Red**
Adjusts the brightness of the Red color component.
- **Brightness Green**
Adjusts the brightness of the Green color component.
- **Brightness Blue**
Adjusts the brightness of the Blue color component.
- **Black Level**
Adjusts the black level of the image.

Picture > Gamma Correction

Sets the Gamma correction mode.

- **Default**
Sets the default Gamma settings.
- **sRGB**
Color space used with PCs, cameras, and printers.
- **User Table**
This option is used with a user Gamma LUT. See pages 30 and 43 for details on using a Gamma Look Up Table.
- **Custom Table**
Use when defining a custom LUT. See pages 30 and 43 for details on using a Gamma Look Up Table.
- **Gamma Coefficient**
Adjusts the Gamma coefficient in the range from 0.3 to 3.0. The default Gamma value is 1.0.



When the Custom LUT (Look Up Table) is selected, the Gamma coefficient is used to calculate a new Gamma LUT.

Picture > Detail Enhancement

These parameters process the input data in either progressive or interlaced format. Changes to the detail enhancement are implemented at the start of the next frame of video. Both of these parameters can be adjusted within the range of 0 - 100.

- Detail Enhancement
- Noise Threshold

Picture > Noise Reduction

This is an adaptive noise reduction function which processes the input data in either progressive or interlaced format. Enabling the Noise Reduction on noisy interlaced signals can optimize de-interlacer performance.

Picture > Motion Threshold

This sets the intraframe motion detection threshold for the deinterlacer on the VXP processor. Video artifacts can be created when de-interlacing (creating interlaced fields from progressive fields). This function allows adjustment of the threshold used by the de-interlacer motion detection algorithm, removing / minimizing motion artifacts in the converted video.

Picture > Output Color Range

The RGB output color range may be changed/set to limited (16-235) or to full (0-255). The *Output > Link Configuration* must be set to RGB 4:4:4 otherwise this menu is disabled. SDI values ranging from 16 - 235 will be expanded to 0 - 255

- **16 - 235**
The output color range will be compressed from full-range (0 - 255) to limited-range.
- **0 - 255**
The output color range will be expanded from limited-range (16 - 235) to full-range (0 - 255).

Layout Menu

Layout > Size and Position

The size and position of the output signal can be changed. By default, the horizontal and vertical dimensions match the output resolution. For example, an output format of 720p will have a horizontal size of 1280 lines and a vertical size of 720 lines. These values may be decreased to reduce the size of the output picture, after which it may be moved horizontally or vertically.



A picture whose size is the same as the output format cannot be moved horizontally or vertically.

MENU SYSTEM

Aspect Menu

Aspect > Full Screen

the Scaler transforms the input signal to the selected resolution on the output device. For example, if the Scaler receives an SDI 480i 4:3 signal and the output is set to HD 720p 16:9, the output signal will have an aspect ratio of 16:9.

Aspect > Letter / Pillar Box

The Scaler will keep the aspect ratio received from the source. For example, if you input 480i at 4:3 and output 720p at 16:9 HD format, the picture will occupy only the center of the screen and black bars will be placed on each side. This option has no effect if the input and the target aspect ratios are identical.

Aspect > Panoramic

The panoramic zoom feature can be used on non-linear inputs to make them fit on the output device.

Aspect > Extract

This a function allows the Scaler to zoom in on a subset of the input video signal. This feature allow you to zoom on one selected section of the input picture.

- **Extract Size**
Selects the size of the subset to be extracted in percentage of the input.
- **Horizontal Position**
Moves the picture left or right (within the original input full size input).
- **Vertical Position**
Moves the picture up or down (within the original input full size input).

Aspect > Through

This function defines a sub-window that is always centered on the screen. The position is the relative position of the window within the full picture. This feature allow you to display one selected section of the input picture without modifying its size.

- ***Horizontal Size***
Adjusts the size of the sub-window horizontally.
- ***Vertical Size***
Adjusts the size of the sub-window vertically.
- ***Horizontal Position***
Horizontally adjusts the relative position of the window within the full picture.
- ***Vertical Position***
Vertically adjusts the relative position of the window within the full picture.



When changing the input format, the Scaler will try and apply the current settings to the new input format. If this is not possible (e.g. the value is beyond the zoom limit), then the default value (100% size) will be used.

RS-232 SERIAL CONTROL

What features are available via the RS-232 serial communications port?

The HD to 3GSDI Scaler can accept commands through the RS-232 serial communications port located on the rear panel.

How do I use these features?

These features were initially intended for utilization by custom installers in automated setups. However, these features can be tested and used by using any Windows-based PC with a terminal program.

What pins are used for communication with the 16x16 3GSDI Matrix?

Only pins 2 (Receive), 3 (Transmit), and 5 (Ground) are used for communication. A null-modem adapter should not be used with this product.



Only Pins 2 (RX), 3 (TX), and 5 (Ground) are used on the RS-232 serial interface

What are the communication port settings?

Bits per second	19200
Data bits	8
Parity	None
Stop bits	1
Flow Control	None

RS-232 SERIAL CONTROL

Functions Syntax

The syntax for each function is always the same:

#Function name → Space (_) as function name end flag → Parameter 1 → Space → Parameter 2 → Parameter n → Carriage Return (\r) →

Sample:

#FunctionName_param1_param2_param3_param4...\r

Syntax is NOT case sensitive.

Functions

Function	Description
#ASPECT	Sets the aspect ratio of the output signal
#AUTOLOCK	Enables or disables the automatic genlock mode
#BLACKLEV	Sets the black level (RGB/Y) of the output signal
#BRIGHT	Sets the brightness value for a specific color
#CLEANAPER	Sets the clean aperture level for position and size
#COLRANGE	Sets the color range (limited or full) of the output signal
#CONTRAST	Sets the contrast level for a specific color
#CUSTOM	Used to modify the output format
#DEVERSION	Returns the hardware and firmware version
#ENHANCE	Sets the enhancement value
#EXTRACT	Sets the extract aspect mode
#GAMMA	Sets the Gamma correction mode
#INPUT	Sets the input format of the image
#INSEL	Sets the input channel
#LANGUAGE	Sets the current language of the OSD
#LINKCONF	Changes the link configuration
#LIST	Displays a list of all available functions on this Scaler
#MOTIONTHRES	Sets the intraframe motion detection threshold
#NOISEREDUC	Sets the noise reduction value
#NOISETHRES	Sets the noise reduction threshold
#OUTCONF	Sets the output link configuration
#OUTPUT	Sets the format (refresh rate) of the output signal

RS-232 SERIAL CONTROL

Function	Description
# <i>PATTERN</i>	Selects the test pattern to display on the output
# <i>REMOTECHAN</i>	Sets the IR Remote Channel on the Scaler
# <i>RESTORE</i>	Restores all of the default parameters (factory defaults)
# <i>SAVE</i>	Saves the current parameters in the PROM
# <i>SIZEPOS</i>	Sets the size and position of the output signal
# <i>THROUGH</i>	Defines a sub-window that is centered on the screen
# <i>VERSION</i>	Returns the version of firmware, kernel, and configuration

#ASPECT Function

The #ASPECT function sets the aspect ratio.

Syntax:

#ASPECT param1

Parameters:

param1

IR channel

[1 - 5]

Value	Meaning
1	Full Screen
2	Letter / Pillar Box
3	Panoramic
4	Extract (Uses default value)
5	Through (Uses default Value)

Notes:

If the Extract or Through mode is selected, the default values are set. To modify the parameters for Extract or Through mode refer to these functions in this manual.

RS-232 SERIAL CONTROL

#AUTOLOCK Function

The #AUTOLOCK function enables or disables the Auto Genlock Mode.

Syntax:

#AUTOLOCK param1

Parameters:

param1 IR channel [0 - 2]

Value	Meaning
0	Disable (Default value)
1	Video Input Reference
2	Reference Input

#BLACKLEV Function

The #BLACKLEV function sets the black level (RGB/Y) of the image.

Syntax:

#BLACKLEV param1

Parameters:

param1 Level value [0 - 1023]

RS-232 SERIAL CONTROL

#BRIGHT Function

The #BRIGHT function sets the brightness value for a specific color.

Syntax:

```
#BRIGHT param1 param2
```

Parameters:

param1 Color name [0 - 2]

Value	Meaning
0	Red
1	Green
2	Blue

param2 Color value [0 - 100]

Notes:

The default value of the Color value is 50.

#CLEANAPER Function

The #CLEANAPER function sets the clean aperture level for each position and size.

Syntax:

```
#CLEANAPER param1 param2 param3 param4
```

Parameters:

param1 Horizontal size [1 - 100]

param2 Vertical size [1 - 100]

param3 Horizontal position [1 - 100]

param4 Vertical position [1 - 100]

Notes:

The default value of the Color value is 50.

RS-232 SERIAL CONTROL

#COLRANGE Function

The #COLRANGE function sets the color range for the output. The default value is 16 - 235.

Syntax:

#COLRANGE param1

Parameters:

param1 Color range [0 - 1]

Value	Meaning
0	16 - 235
1	0 - 255

Notes:

The color range of 0 - 255 is only available for RGB 4:4:4 output.

#CONTRAST Function

The #CONTRAST function sets the contrast level for a specific color.

Syntax:

#CONTRAST param1 param2

Parameters:

param1 Color name [0 - 2]

Value	Meaning
0	Red
1	Green
2	Blue

param2 Contrast value [0 - 100]

Notes:

The default value of the Color value is 50.

RS-232 SERIAL CONTROL

#CUSTOM Function

The #CUSTOM function is used to modify the output format. The default, the maximum and minimum values are dependent upon the current output format and the current custom output parameters. Therefore, these parameters can be modified only one at a time. See page 42 for a list of the refresh rate values.

Syntax:

#CUSTOM param1 param2

Parameters:

param1 Value [see table below]

Value	Meaning	Min. Value	Max. Value
0	Horizontal Total	HActive + HSync Back Porch	3500
1	Horizontal Active	1	HTotal - HSync Back Porch*
2	Horizontal Sync Back Porch	1	HTotal - HActive
3	Horizontal Sync Width	1	HSync Back Porch
4	Vertical Total	VSync + VSync Back Porch	3500
5	Vertical Active	1	VTototal - VSync Back Porch*
6	Vertical Sync Back Porch	1	VTototal - VActive
7	Vertical Sync Width	1	VSync Back Porch
8	Refresh Rate	0	13

param2 Value from param1 [see table above]

Notes:

If the Horizontal Active and/or the Vertical Active goes up to 2048, then the maximum values are set to 2048.

#DEVERSION Function

The #DEVERSION function returns the hardware and firmware version.

Syntax:

```
#DEVERSION
```

Parameters:

None

#ENHANCE Function

The #ENHANCE function sets the enhancement value.

Syntax:

```
#ENHANCE param1
```

Parameters:

<i>param1</i>	Enhancement value	[0 - 100]
---------------	-------------------	-----------

#EXTRACT Function

The #EXTRACT function sets the extract aspect mode.

Syntax:

```
#EXTRACT param1 param2 param3
```

Parameters:

<i>param1</i>	Extract size percentage	[1 - 100]
<i>param2</i>	Horizontal position	[1 - 100]
<i>param3</i>	Vertical position	[1 - 100]

RS-232 SERIAL CONTROL

#GAMMA Function

The #GAMMA function sets the gamma correction mode.

Syntax:

```
#GAMMA param1 param2
```

Parameters:

param1

Gamma correction mode [0 - 3]

Value	Meaning
0	Default
1	sRGB
2	Custom
3	User table

param2

Mode [see below]

Value	Meaning
3 - 30	Set for Custom mode
1	Set for User table

Notes:

If the Custom mode is used, then set the gamma coefficient value in the second parameter. If User Table is used, then set the second parameter to 1 to set the user table currently saved in EEPROM memory. To write a new gamma LUT (Look-Up Table) file, you must use the updater with the following command:

```
updater %comport% GAMMA [filename].csv
```

If the Default or sRGB modes are used, then set the second parameter to zero. See page 43 for details on using a Gamma LUT.

#LANGUAGE Function

The #LANGUAGE function sets the current language of the Main Menu.

Syntax:

#LANGUAGE param1

Parameters:

param1 Language [0 - 1]

Value	Meaning
0	English
1	French

#LINKCONF Function

The #LINKCONF function changes the link configuration. This option is not valid for all formats.

Syntax:

#LINKCONF param1

Parameters:

param1 Mode [0 - 2]

Value	Meaning
0	Single Link
1	Dual Link YCbCr (4:4:4)
2	Dual Link RGB (4:4:4)

Notes:

The default value is Single Link.

RS-232 SERIAL CONTROL

The following table lists the video formats available when using the #LINKCONF function. The Value column is not used by the #LINKCONF function.

Available Formats	Value
1080i / 60	22
1080i / 59.94	23
1080i / 50	24
1080i / 50M	25
1080sf / 29.97	29
1080sf / 30	27
1080sf / 25	31
1080sf / 24	33
1080sf / 23.98	35
1080p / 30	26
1080p / 29.97	28
1080p / 25	30
1080p / 24	32
1080p / 23.98	34



Some formats automatically set the link configuration to dual link 4:2:2 progressive. The table below lists these formats:

Available Formats	Value
1080p / 60	18
1080p / 59.94	19
1080p / 50	20
480p / 59.94	6
576p / 50	7

#LIST Function

The #LIST function displays the list of all the available functions that can be executed on the serial port. It also gives the number of parameters that each function requires.

Syntax:

#LIST

Parameters:

None

#MOTIONTHRES Function

The #MOTIONTHRES function sets the intraframe motion detection threshold for the deinterlacer on the VXP processor. Video artifacts can be created when de-interlacing (creating interlaced fields from progressive fields). This function allows adjustment of the threshold used by the de-interlacer motion detection algorithm, removing / minimizing motion artifacts in the converted video.

Syntax:

#MOTIONTHRES param1

Parameters:

<i>param1</i>	Value	[0 - 15]
---------------	-------	----------

Notes:

The default value is 4.

#NOISEREDUC Function

The #NOISEREDUC function sets the noise reduction value.

Syntax:

```
#NOISEREDUC param1
```

Parameters:

<i>param1</i>	Value	[0 - 100]
---------------	-------	-----------

Notes:

The default value is 0.

#NOIETHRES Function

The #NOIETHRES function sets the noise threshold function.

Syntax:

```
#NOIETHRES param1
```

Parameters:

<i>param1</i>	Value	[0 - 100]
---------------	-------	-----------

Notes:

The default value is 0.

RS-232 SERIAL CONTROL

#OUTCONF Function

The #OUTCONF function sets the output link configuration of the image.

Syntax:

#OUTCONF param1

Parameters:

param1

Value

[0 - 2]

Value	Meaning
0	RGB 4:4:4
1	YCbCr 4:4:4
2	YCbCr 4:2:2

#OUTPUT Function

The #OUTPUT function sets the output format of the image. See pages 40 - 41 for a list of all available formats

Syntax:

#OUTPUT param1

Parameters:

param1

Value

[0 - 13]

#PATTERN Function

The #OUTPUT function the test pattern to display on the output.

Syntax:

#PATTERN param1

Parameters:

param1 Pattern [0 - 3]

Value	Meaning
0	No pattern
1	Color bar
3	Cross hatch

#REMOTCHAN Function

The #REMOTCHAN function sets the IR remote control channel.

Syntax:

#REMOTCHAN param1

Parameters:

param1 Channel [0 - 3]

#RESTORE Function

The #RESTORE function restores all of the default parameters.

Syntax:

#RESTORE

Parameters:

None

#SAVE Function

The #SAVE function saves all the current parameters in the PROM. These parameters will be reloaded upon the next boot up.

Syntax:

#SAVE

Parameters:

None

#SIZEPOS Function

The #SIZEPOS function sets the size and the position of the image. Note that this option is not available in the panoramic aspect mode.

Syntax:

#SIZEPOS param1 param2 param3 param4

Parameters:

param1

Horizontal size

Minimum value	Maximum value
1	Current horizontal resolution - current horizontal position

param2

Vertical size

Minimum value	Maximum value
1	Current vertical resolution - current vertical position

param3

Horizontal position

Minimum value	Maximum value
0	Current horizontal resolution - current horizontal size

param4

Vertical position

Minimum value	Maximum value
0	Current vertical resolution - current vertical size

#THROUGH Function

The #THROUGH function defines a sub-window that is always centered on the screen. The position is the relative position of the window within the full picture. This feature allow you to display one selected section of the input picture without modifying its size.

Syntax:

```
#THROUGH param1 param2 param3 param4
```

Parameters:

<i>param1</i>	Horizontal size	[1 - 100]
<i>param2</i>	Vertical size	[1 - 100]
<i>param3</i>	Horizontal position	[0 - 100]
<i>param4</i>	Vertical position	[0 - 100]

#VERSION Function

This function returns the version of the Host Firmware, the Kernel and the configuration in that order.

Syntax:

```
#VERSION
```

Parameters:

None

SUPPORTED VIDEO AND GRAPHICS FORMATS

Supported Video and Graphics Formats

The following table contains all supported video and graphic formats supported by the GefenPRO 3GSDI to HD Scaler. The Value column are parameters used by the RS-232 Serial Control.

Input		Output	
Format	Value	Format	Value
480i	0	480i	0
480p @ 59.94	6	480p @ 59.94	6
576i	1	576	1
576p @ 50	7	576p	7
720p @ 23.97	15	720p @ 23.97	15
720p @ 24	14	720p @ 24	14
720p @ 25	13	720p @ 25	13
720p @ 29.97	12	720p @ 29.97	12
720p @ 30	11	720p @ 30	11
720p @ 50	10	720p @ 50	10
720p @ 60	8	720p @ 60	8
720p @ 59.94	9	720p @ 59.94	9
1035i @ 59.94	64	1035i @ 59.94	64
1035i @ 50	63	1035i @ 50	63
1080i @ 50	24	1080i @ 50	24
1080i @ 50M	25	1080i @ 50M	25
1080i @ 59.94	23	1080i @ 59.94	23
1080i @ 60	22	1080i @ 60	22
1080p @ 23.98	34	1080p @ 23.98	34
1080p @ 24	32	1080p @ 24	32
1080p @ 25	30	1080p @ 25	30
1080p @ 29.97	28	1080p @ 29.97	28
1080p @ 30	26	1080p @ 30	26
1080p @ 50	20	1080p @ 50	20
1080p @ 50M	21	1080p @ 50M	21
1080p @ 59.94	19	1080p @ 59.94	19
1080p @ 60	18	1080p @ 60	18
1080sf @ 23.98	35	2K-p @ 23.98	75

SUPPORTED VIDEO AND GRAPHICS FORMATS

Input		Output	
Format	Value	Format	Value
1080sf @ 24	33	2K-p @ 24	76
1080sf @ 25	31	640 x 350 @ 85	36
1080sf @ 29.97	29	640 x 400 @ 85	37
1080sf @ 30	27	640 x 480 @ 60	38
2K-p @ 23.98	73	640 x 480 @ 75	39
2K-p @ 24	74	640 x 480 @ 85	40
2K-sf @ 23.98	75	800 x 600 @ 60	41
2K-sf @ 24	76	800 x 600 @ 75	42
Auto Detect	255	800 x 600 @ 85	43
		1024 x 768 @ 60	44
		1024 x 768 @ 75	45
		1024 x 768 @ 85	46
		1280 x 854	65
		1152 x 864 @ 75	47
		1280 x 768 @ 60	48
		1280 x 960 @ 60	49
		1280 x 960 @ 85	50
		1280 x 1024 @ 60	51
		1280 x 1024 @ 75	52
		1280 x 1024 @ 85	53
		1360 x 768 @ 60	54
		1366 x 768 @ 60	56
		1366 x 923 @ 50	55
		1440 x 900 @ 60	66
		1440 x 1080 @ 60	67
		1600 x 1024	68
		1600 x 1200 @ 60	57
		1600 x 1200 @ 65	58
		1600 x 1200 @ 70	59
		1600 x 1200 @ 75	69
		1680 x 1050 @ 60	70
		1920 x 1200 @ 60	71
		2048 x 1080	72

APPENDIX A

Refresh Rates for Custom Output Formats

Frame Rate (Hz)	Value
23.98	0
24	1
25	2
29.97	3
30	4
48	5
50	6
59.94	7
60	8
65	9
70	10
75	11
80	12
85	13

APPENDIX B

Gamma LUT File Format

The Gamma Look Up Table can be programmed using the `GefenUpdater.exe` program from the Gefen software package. To do this, following the instructions below:

- 1 Create the Gamma LUT.
- 2 Create a standard ASCII text file with the following line:


```
GefenUpdater GAMMA filename.csv
```


where `filename.csv` is the name of the Gamma LUT file.
- 3 Save the file as `UpdateGamma.bat`. Make sure that the `GefenUpdater.exe` file resides in the same directory (or is in the path) as the `UpdateGamma.bat` file.
- 4 Connect a USB cable from the computer to the 3GSDI to HD Scaler.
- 5 Power on the 3GSDI to HD Scaler. Once the Scaler has powered up, run the `UpdateGamma.bat` file.

The LUT is a standard .CSV file. Each line contains Red, Green and Blue values separate by comma ",". A value must be between 0 and 1023. A file must contain 1024 lines:

```
1023,0,0      (Line 1)
1023,0,0
1023,0,0
1023,0,0
1023,0,0
1023,0,0
1023,0,0
1023,0,0
1023,0,0
...
...
1023,0,0      (Line 1024)
```

RACK MOUNT SAFETY INFORMATION

- a. Maximum recommended ambient temperature: 45 °C
- b. Increase the air flow to maintain the temperature inside the rack.
- c. Install the product evenly to avoid mechanical overload.

SPECIFICATIONS

Maximum Input Video Bandwidth.....	2.97 Gbps
Maximum Pixel Clock.....	225 MHz
3G-SDI Input Connectors.....	(2) BNC, male
3G-SDI Loop Connectors.....	(2) BNC, male
HDMI Output Connector.....	(1) Type A 19-pin, female
Audio Output Connector.....	(1) S/PDIF
USB Connector.....	Type B
RS-232 Interface.....	DB-9, female
Power Supply.....	100 ~ 240 V AC
Power Consumption.....	20 W (max.)
Operating Temperature.....	0 °C ~ 45 °C / 32 °F ~ 104 °F
Storage Temperature.....	-20 °C ~ 60 °C / -4 °F ~ 140 °F
Relative Humidity.....	20% ~ 90% RH (no condensation)
Dimensions.....	17.25" W x 1.75" H x 6.7" D (1U Rack)
Shipping Weight.....	4 lbs.

WARRANTY

Gefen warrants the equipment it manufactures to be free from defects in material and workmanship.

If equipment fails because of such defects and Gefen is notified within two (2) years from the date of shipment, Gefen will, at its option, repair or replace the equipment, provided that the equipment has not been subjected to mechanical, electrical, or other abuse or modifications. Equipment that fails under conditions other than those covered will be repaired at the current price of parts and labor in effect at the time of repair. Such repairs are warranted for ninety (90) days from the day of reshipment to the Buyer.

This warranty is in lieu of all other warranties expressed or implied, including without limitation, any implied warranty or merchantability or fitness for any particular purpose, all of which are expressly disclaimed.

1. Proof of sale may be required in order to claim warranty.
2. Customers outside the US are responsible for shipping charges to and from Gefen.
3. Copper cables are limited to a 30 day warranty and cables must be in their original condition.

The information in this manual has been carefully checked and is believed to be accurate. However, Gefen assumes no responsibility for any inaccuracies that may be contained in this manual. In no event will Gefen be liable for direct, indirect, special, incidental, or consequential damages resulting from any defect or omission in this manual, even if advised of the possibility of such damages. The technical information contained herein regarding the features and specifications is subject to change without notice.

For the latest warranty coverage information, please visit Gefen's Warranty web page at <http://www.gefen.com/kvm/aboutus/warranty.jsp>

PRODUCT REGISTRATION

Please register your product online by visiting Gefen's web site at <http://www.gefen.com/kvm/Registry/Registration.jsp>

* ma - GEF - 3GSDI - 2 - HDS *

Rev A5

20600 Nordhoff St., Chatsworth CA 91311
1-800-545-6900 818-772-9100 fax: 818-772-9120
www.gefenpro.com support@gefenpro.com

