

Attach rails to top and bottom using flange nuts. (DO NOT TIGHTEN)

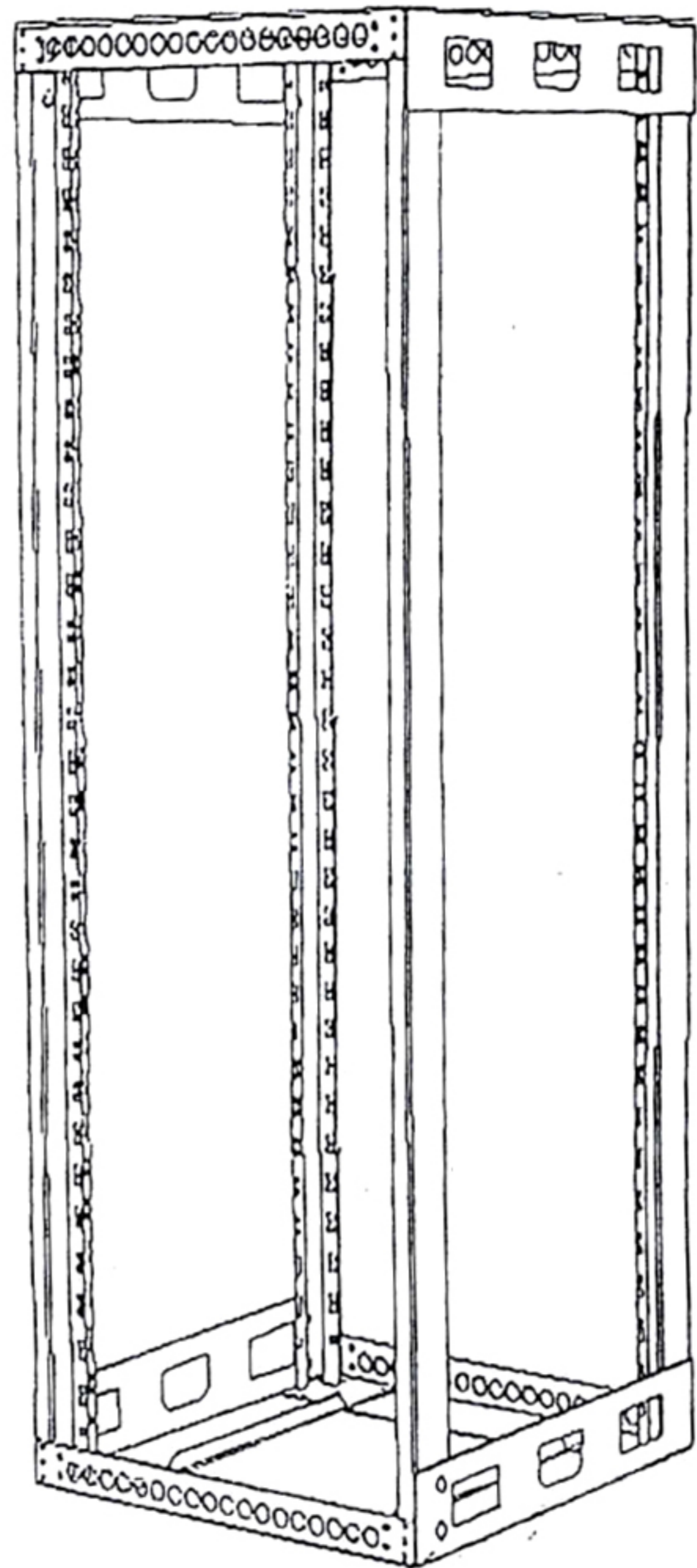
Install and TIGHTEN HARD 10-32 flathead allen screws into rack rail.

Install front to rear braces using flange nuts (DO NOT TIGHTEN)

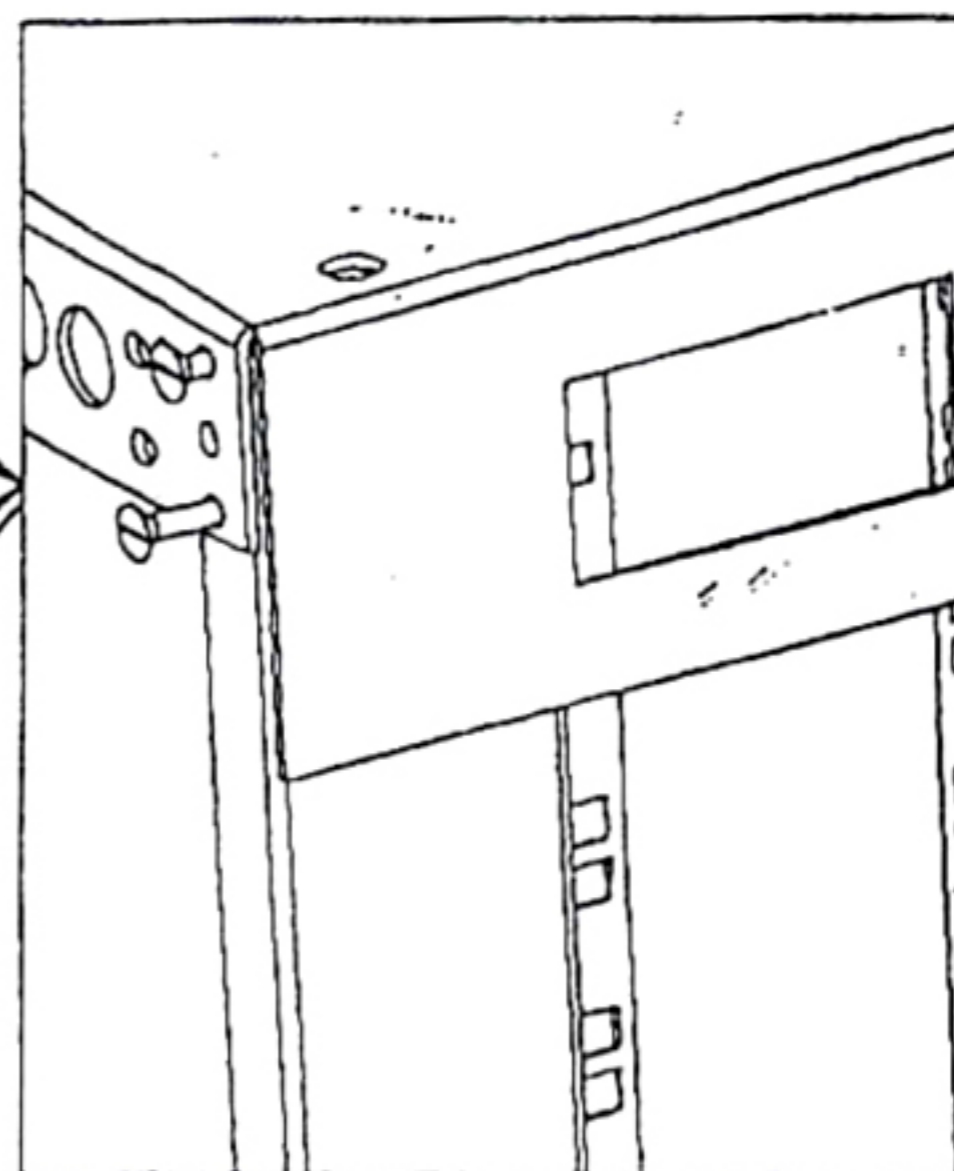
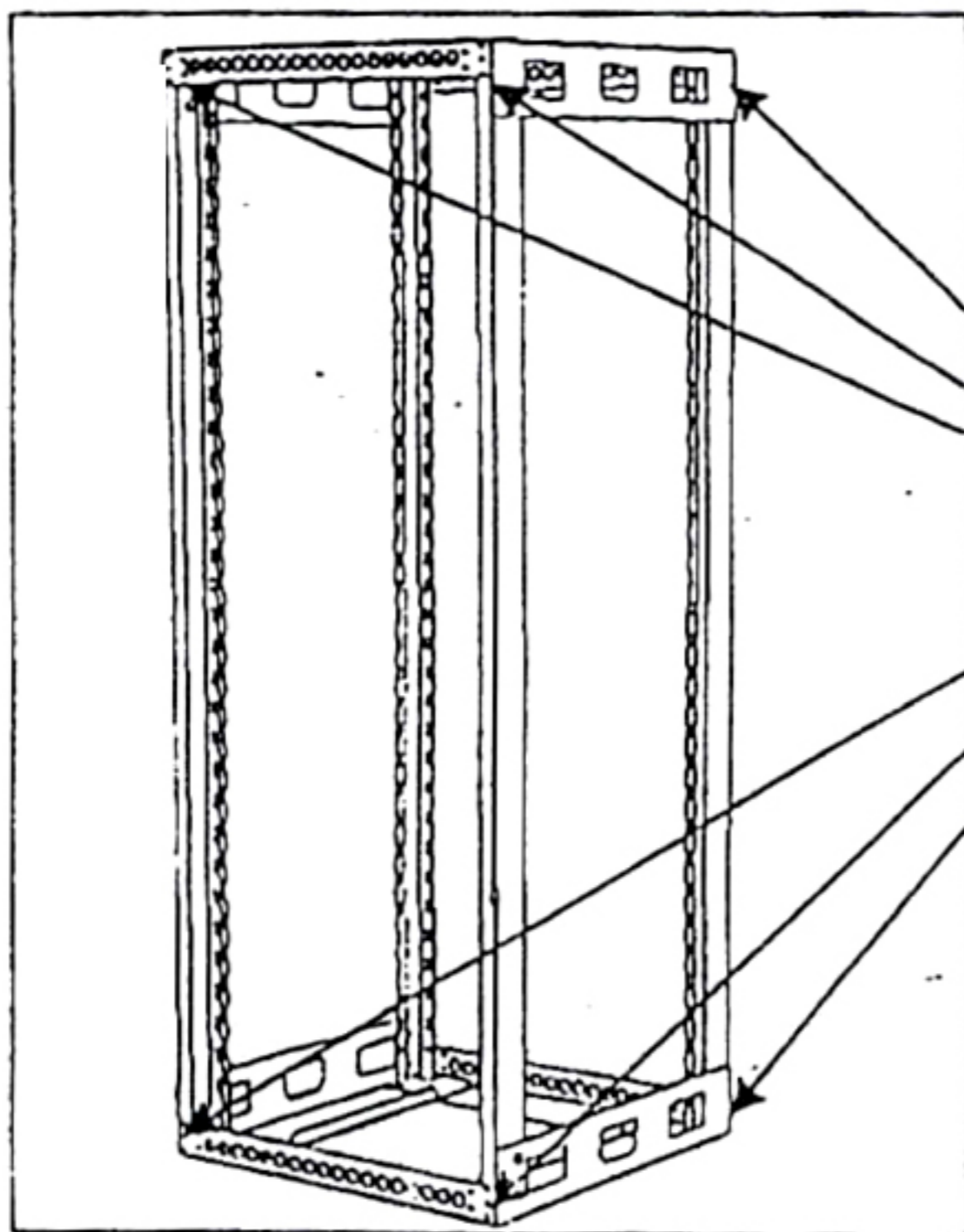
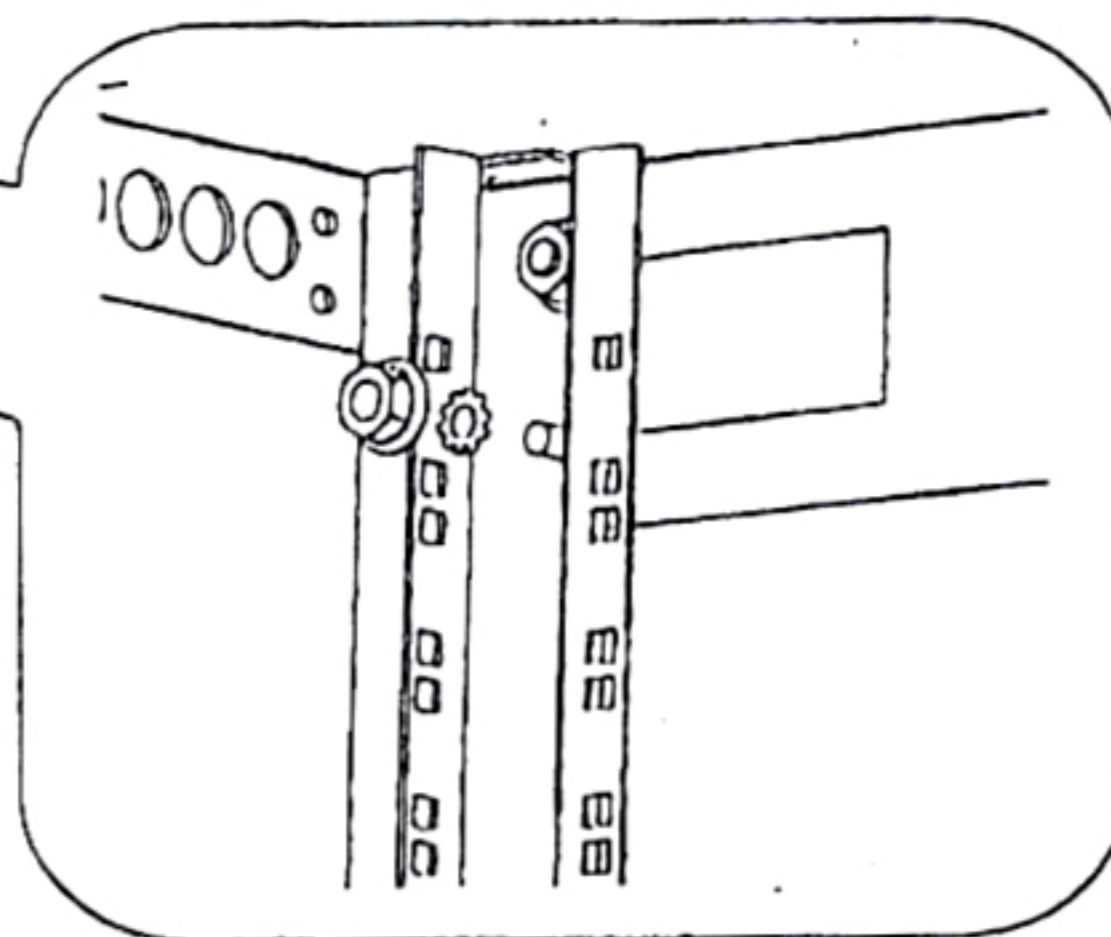
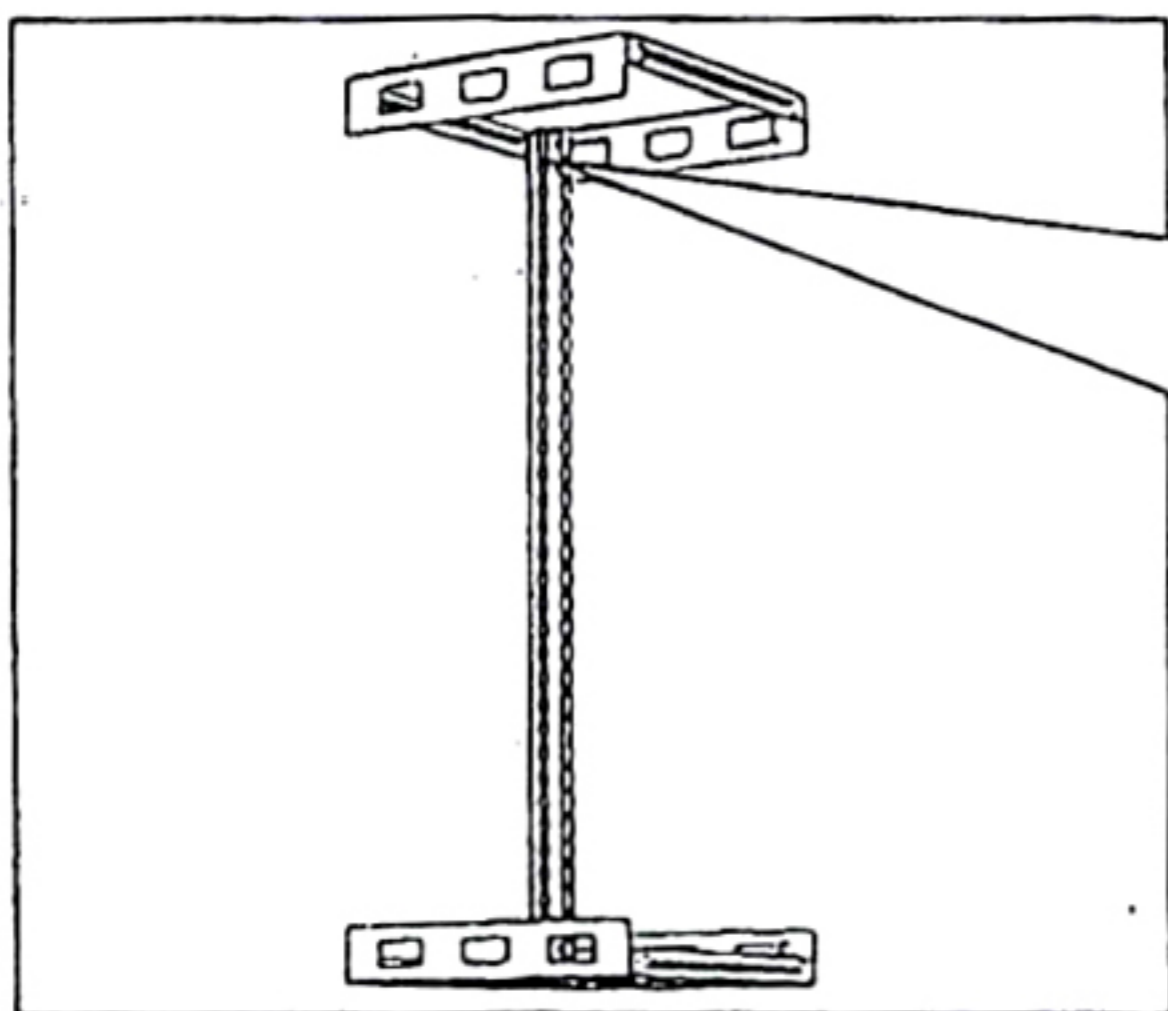
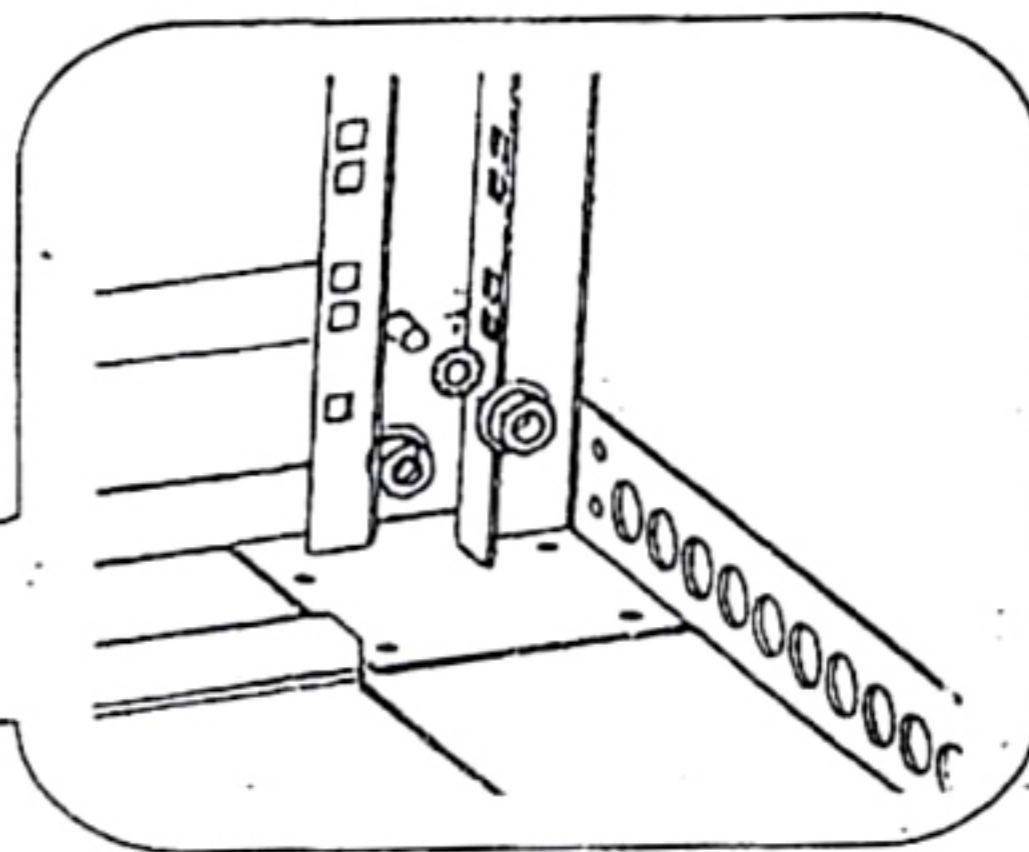
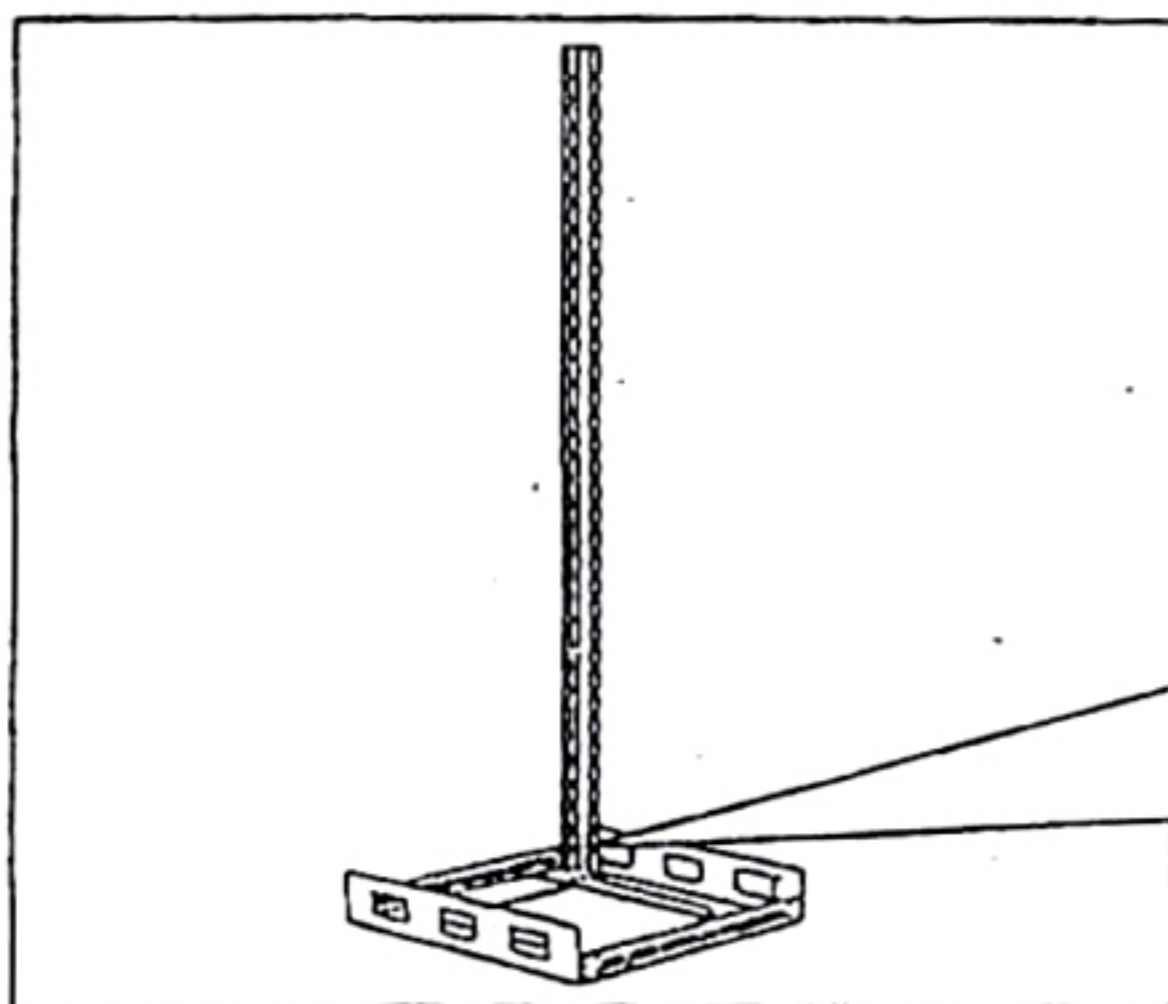
Install squaring panels approximately mid-way using phillips screw (SNUG)(may be removed after some equipment is in).

Lay on a flat surface and tighten all flange nuts. (They are lock nuts, no need to over tighten)

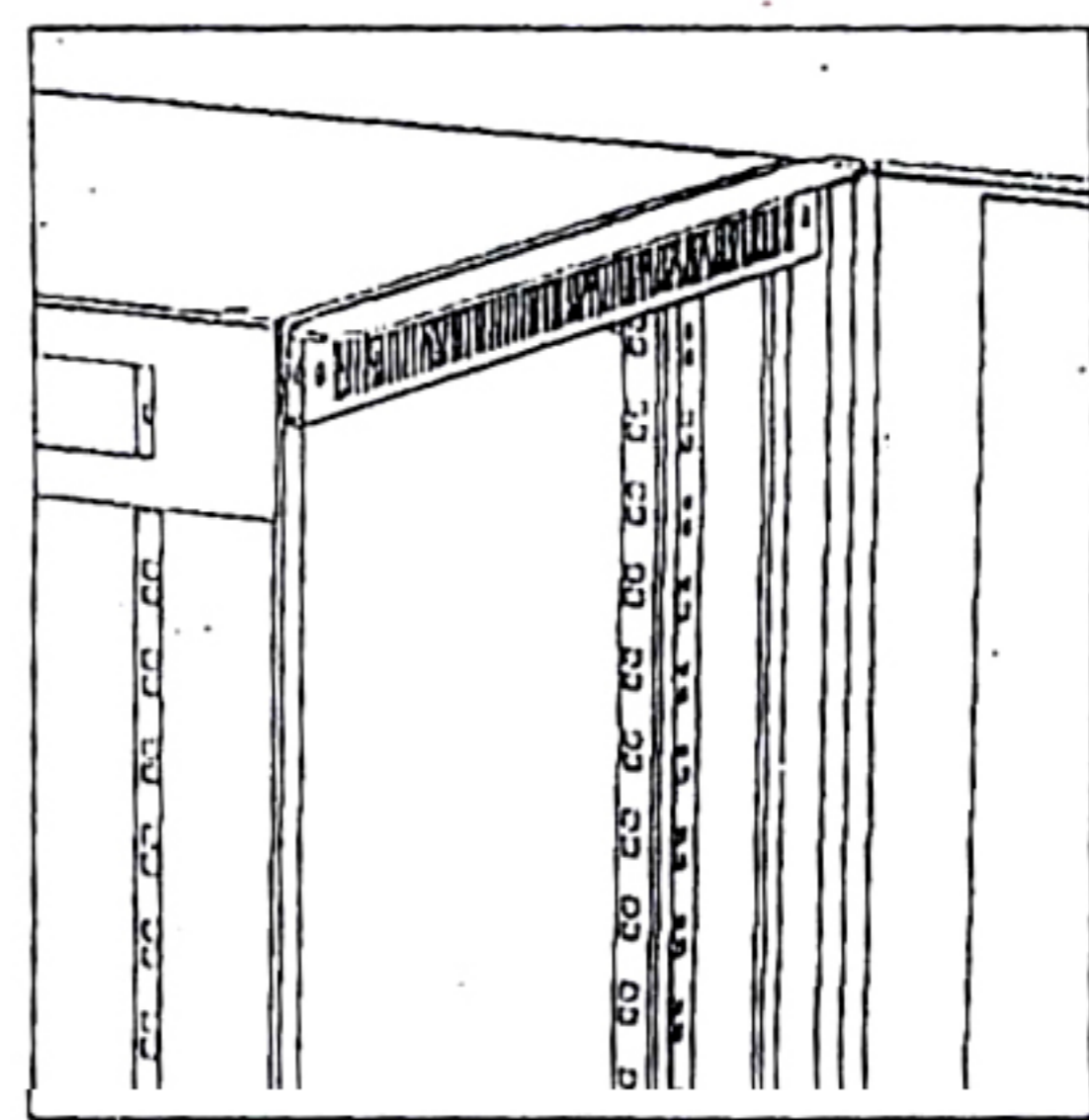
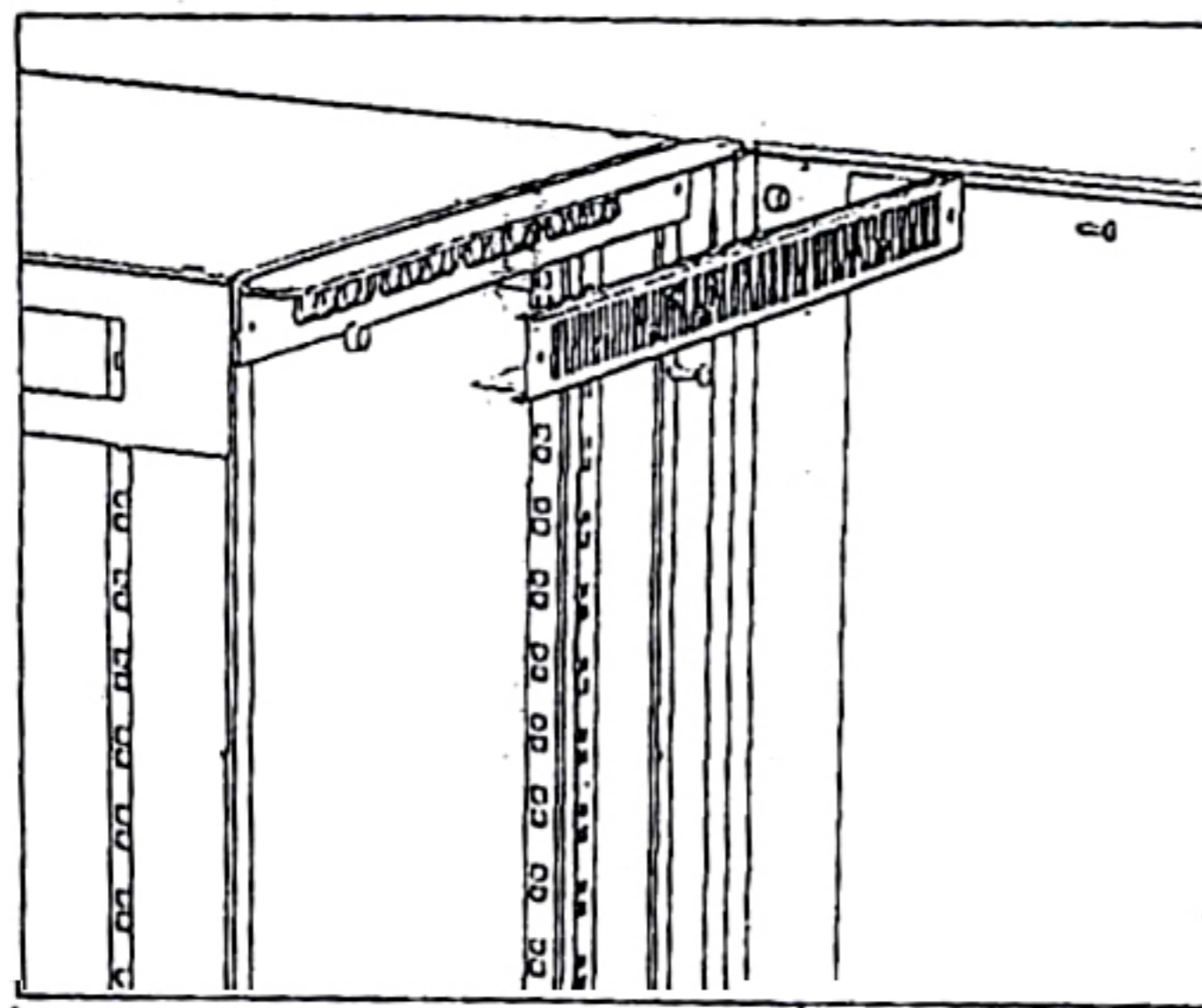
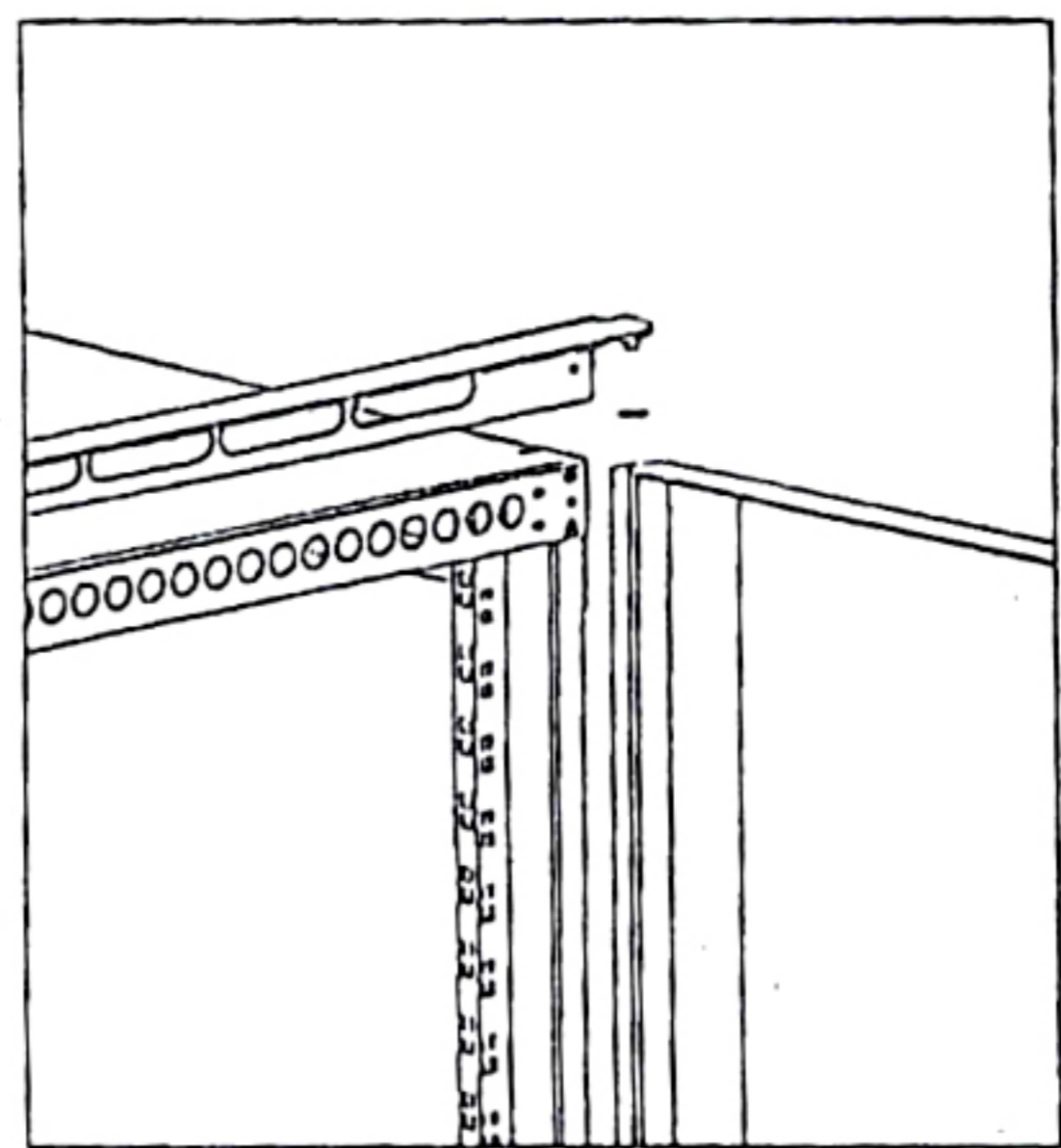
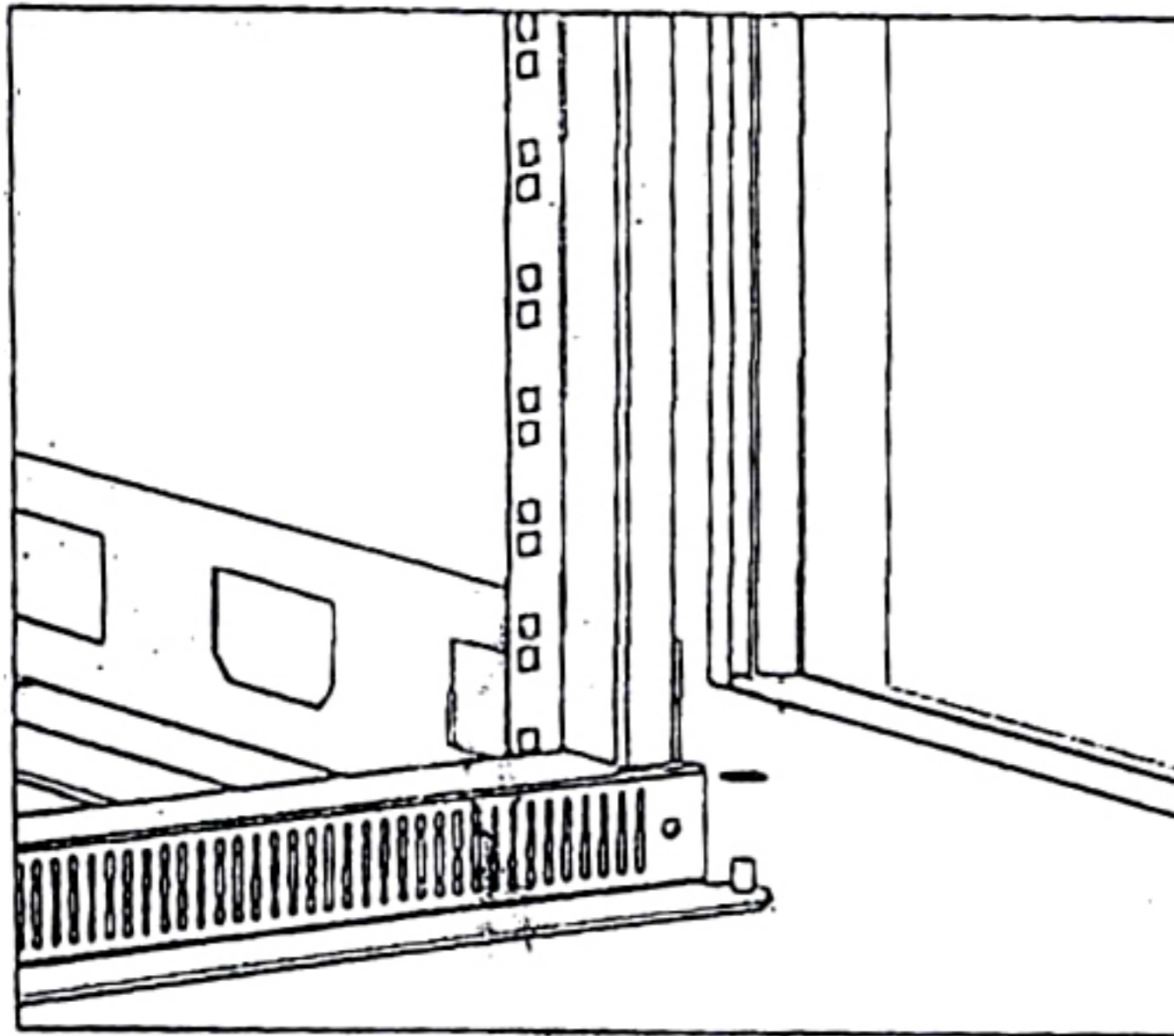
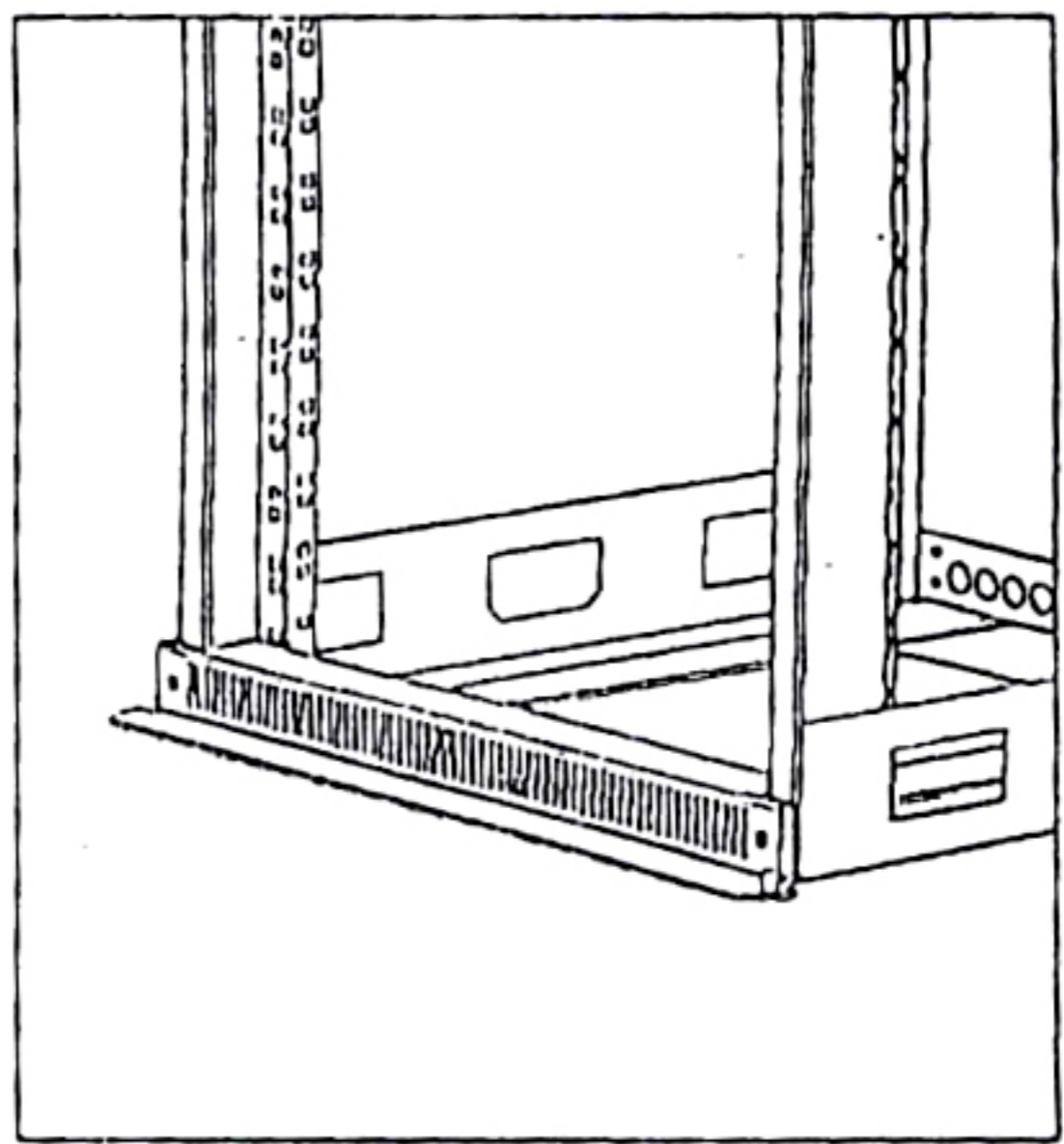
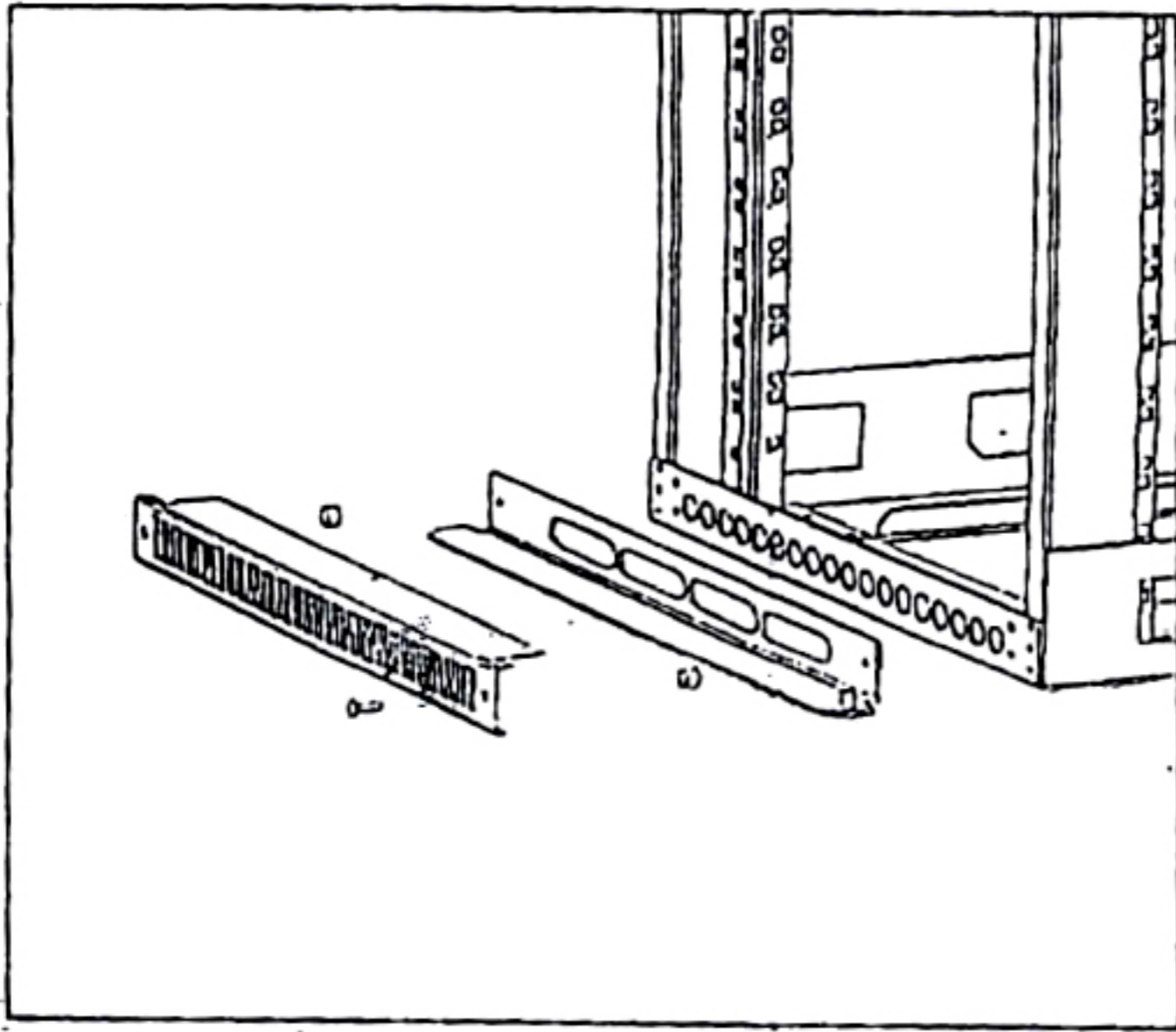
Install trim panels.



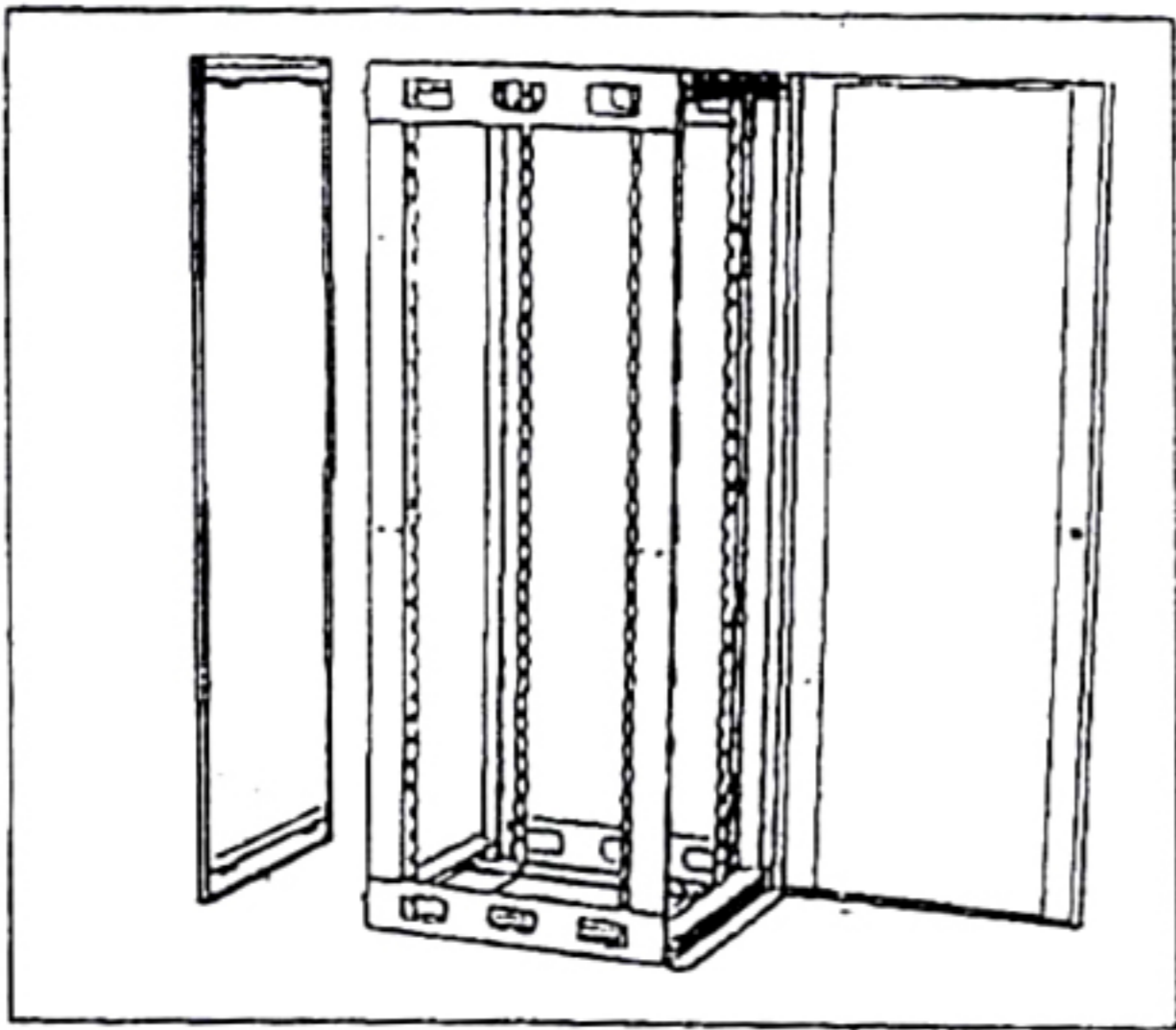
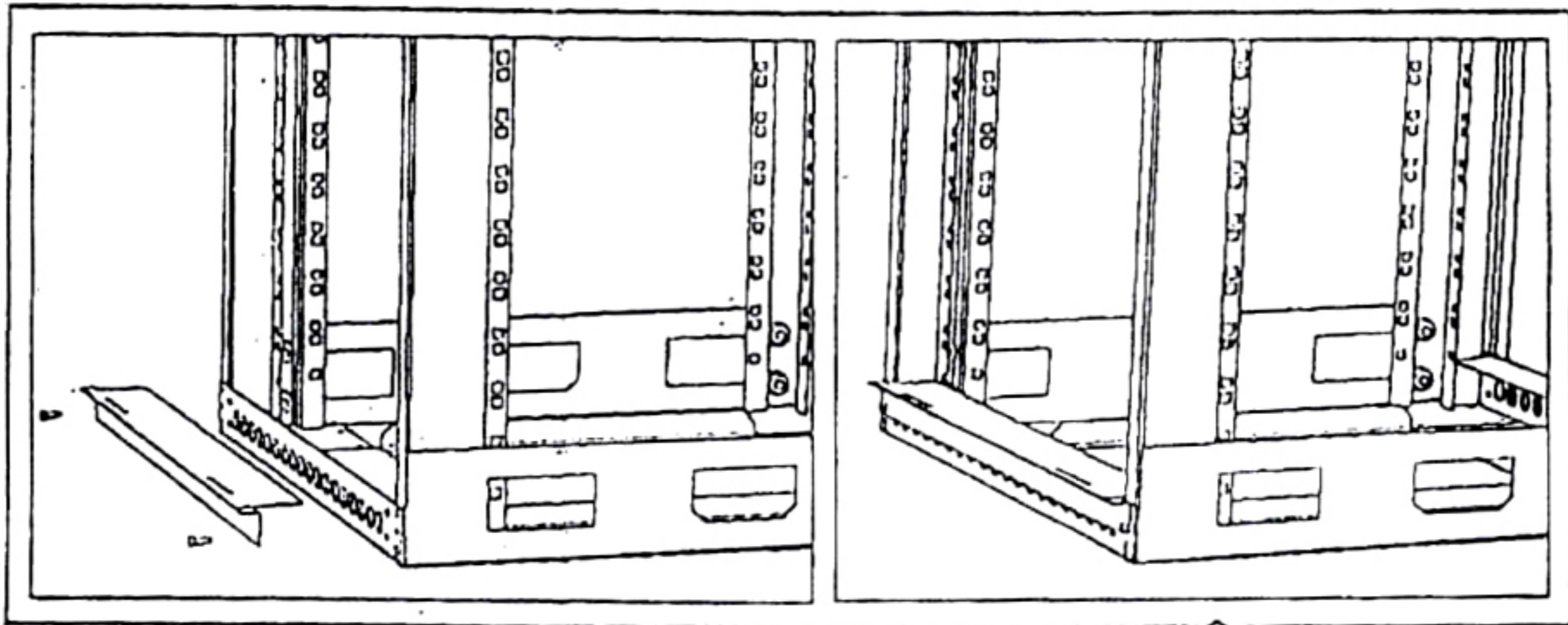
Base of rack:



Front door:

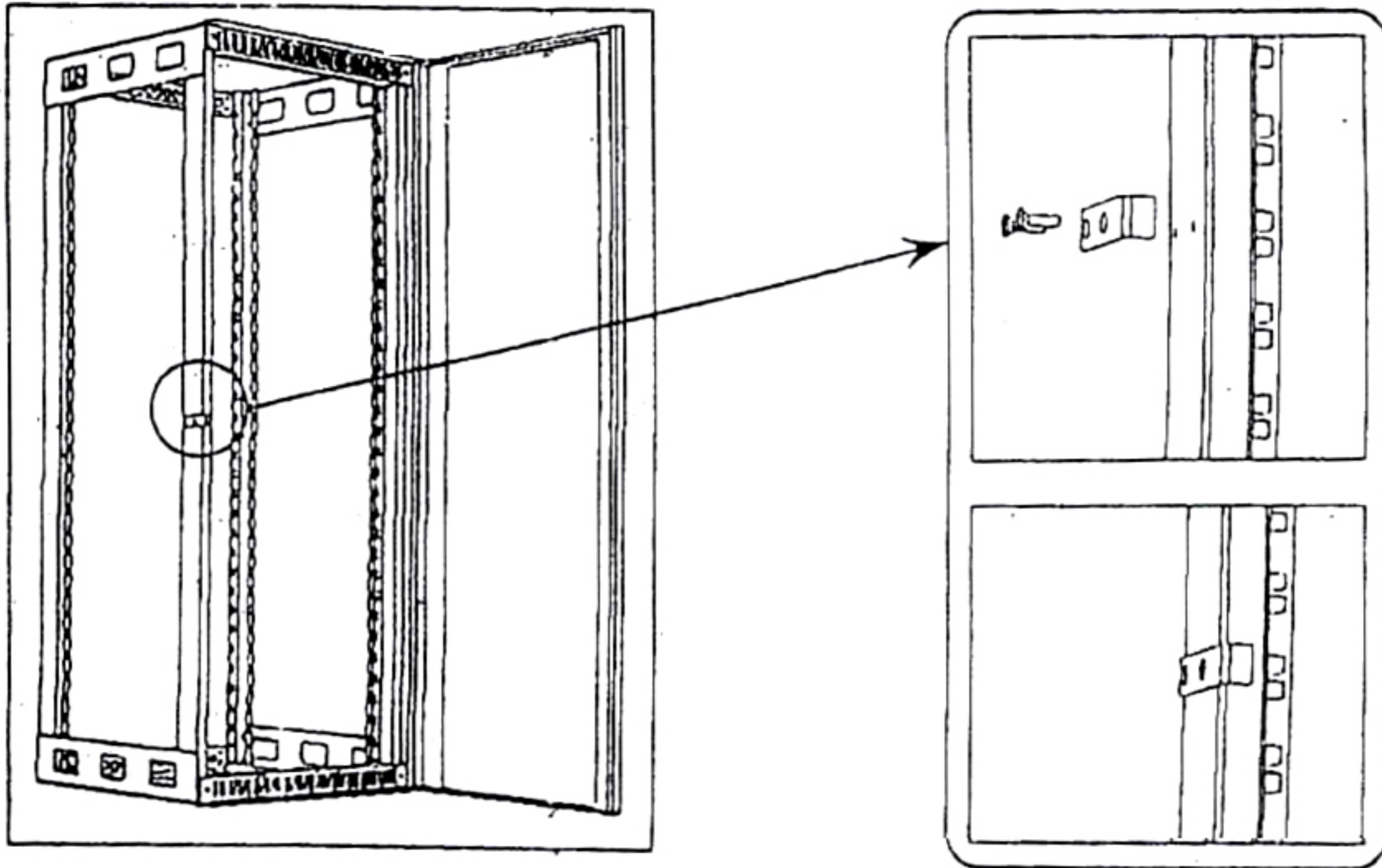


Back cover:

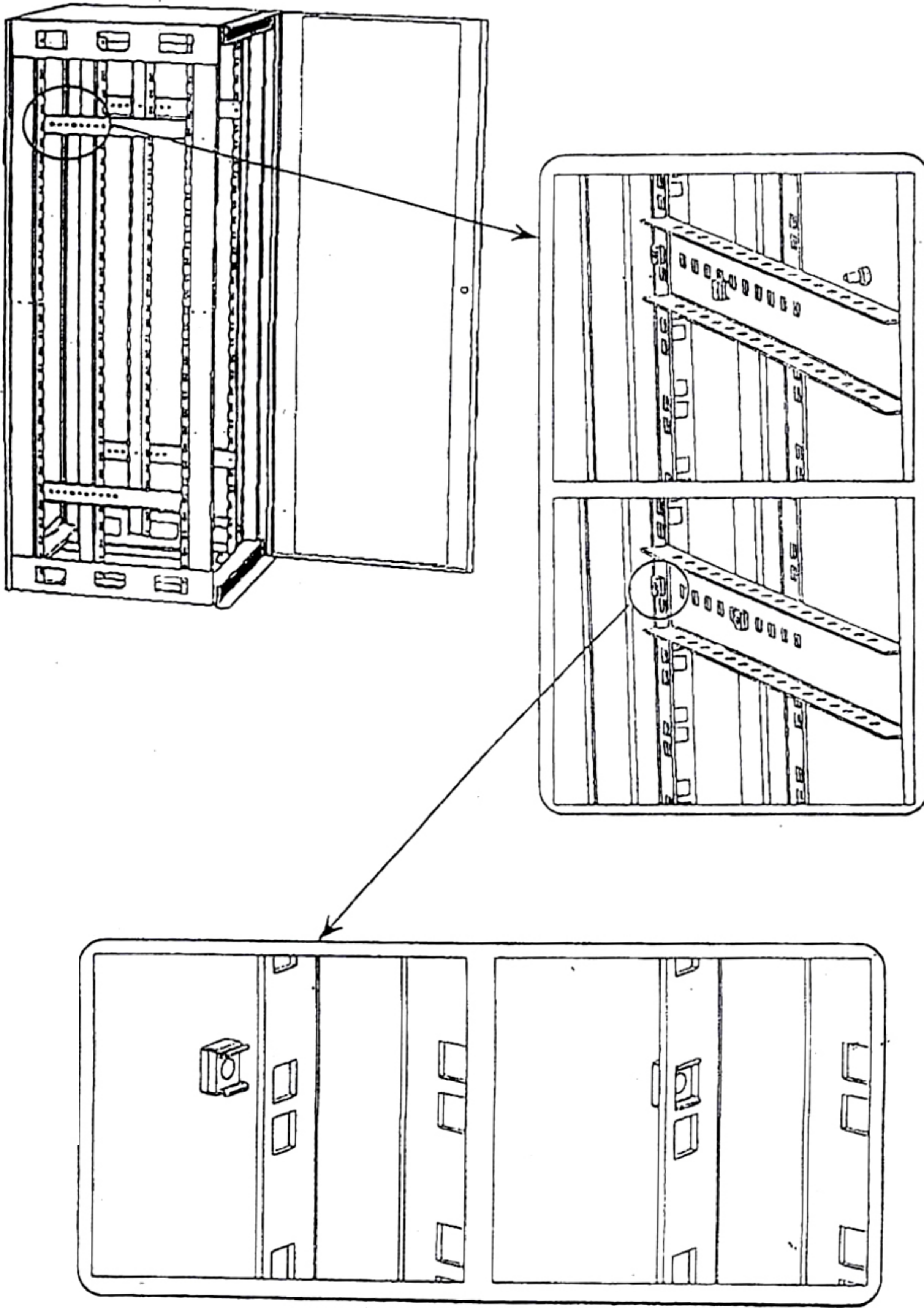


Repeat this step also at the top of rack !

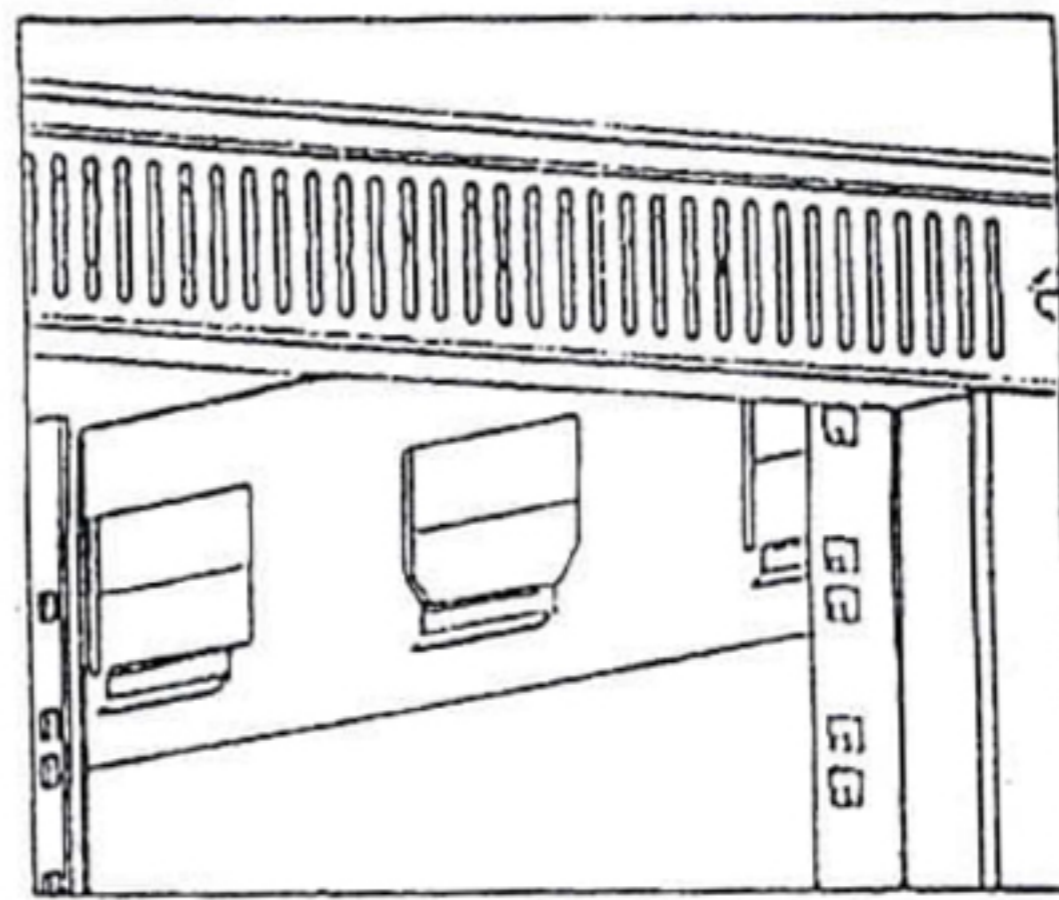
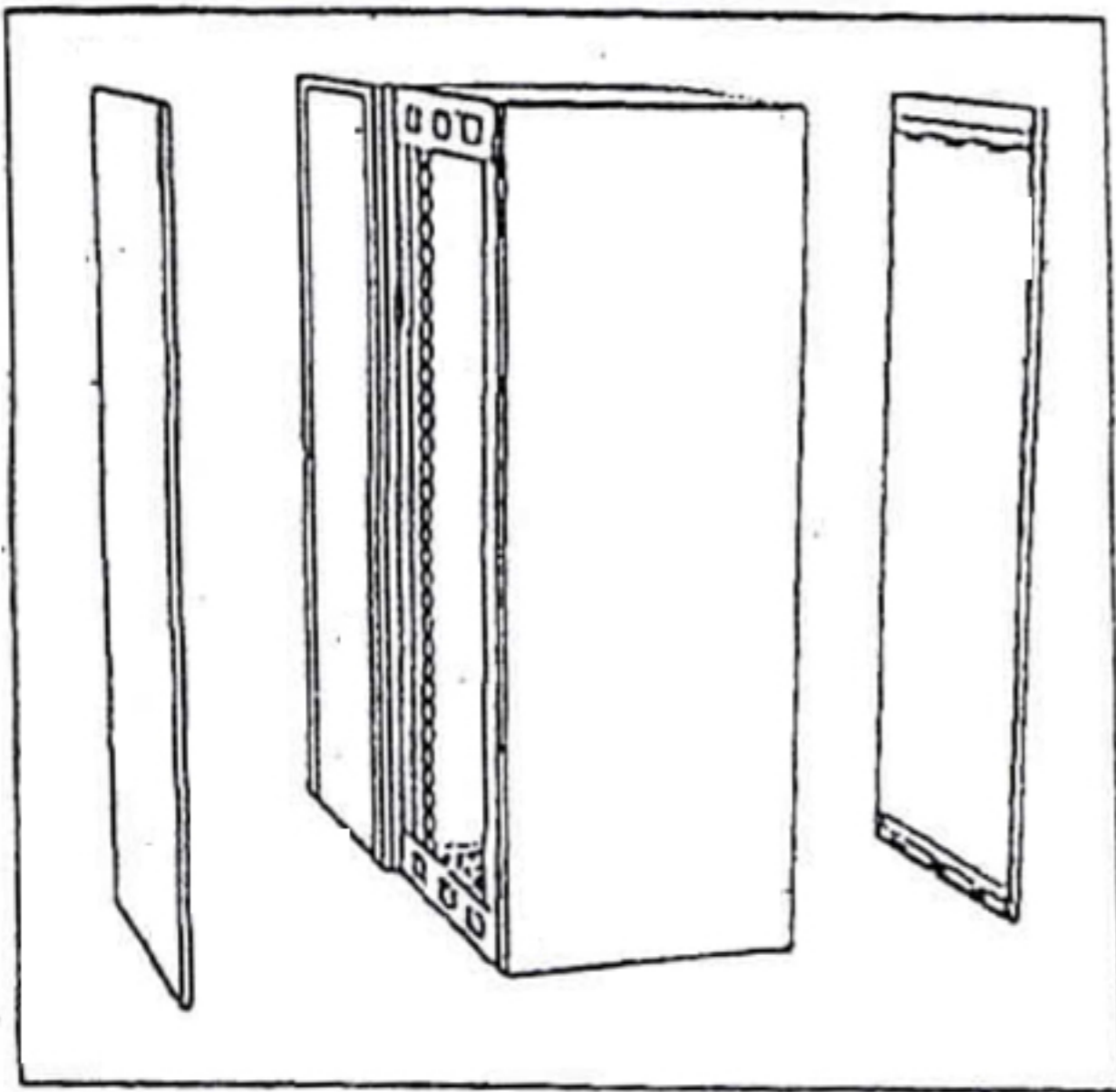
Lock support:



Mounting of inside girders (optional):

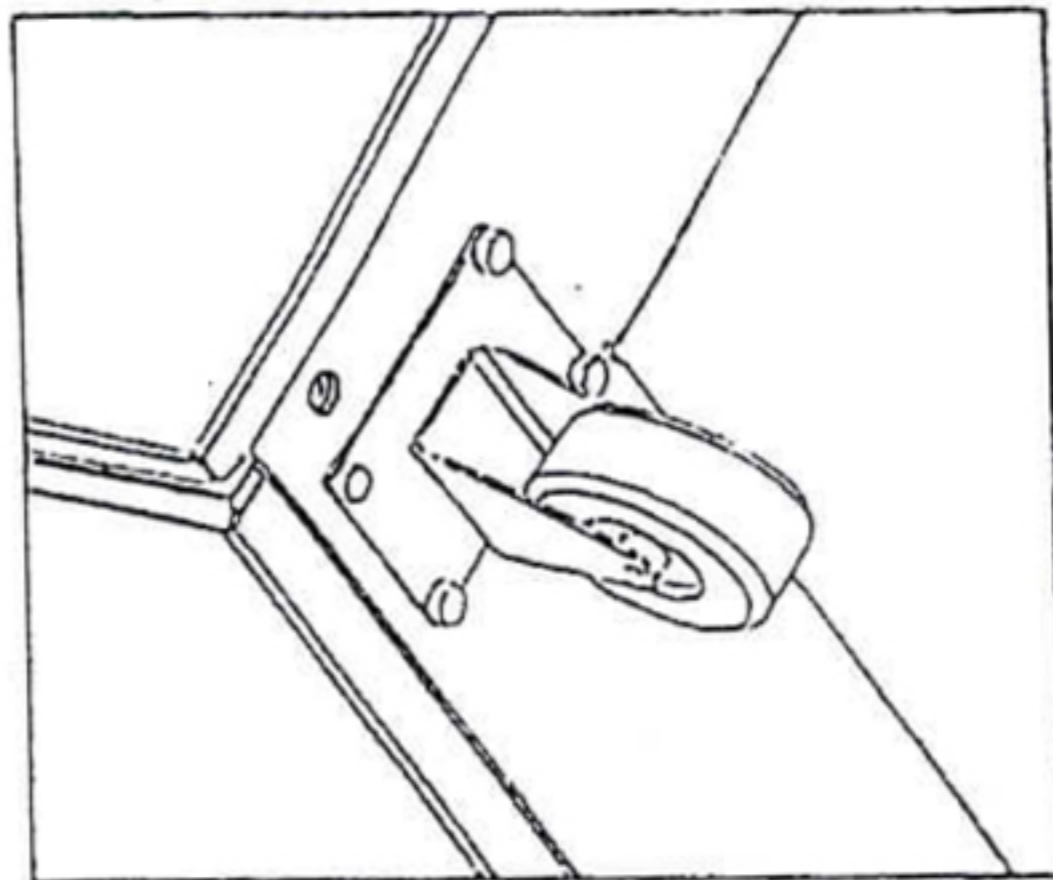
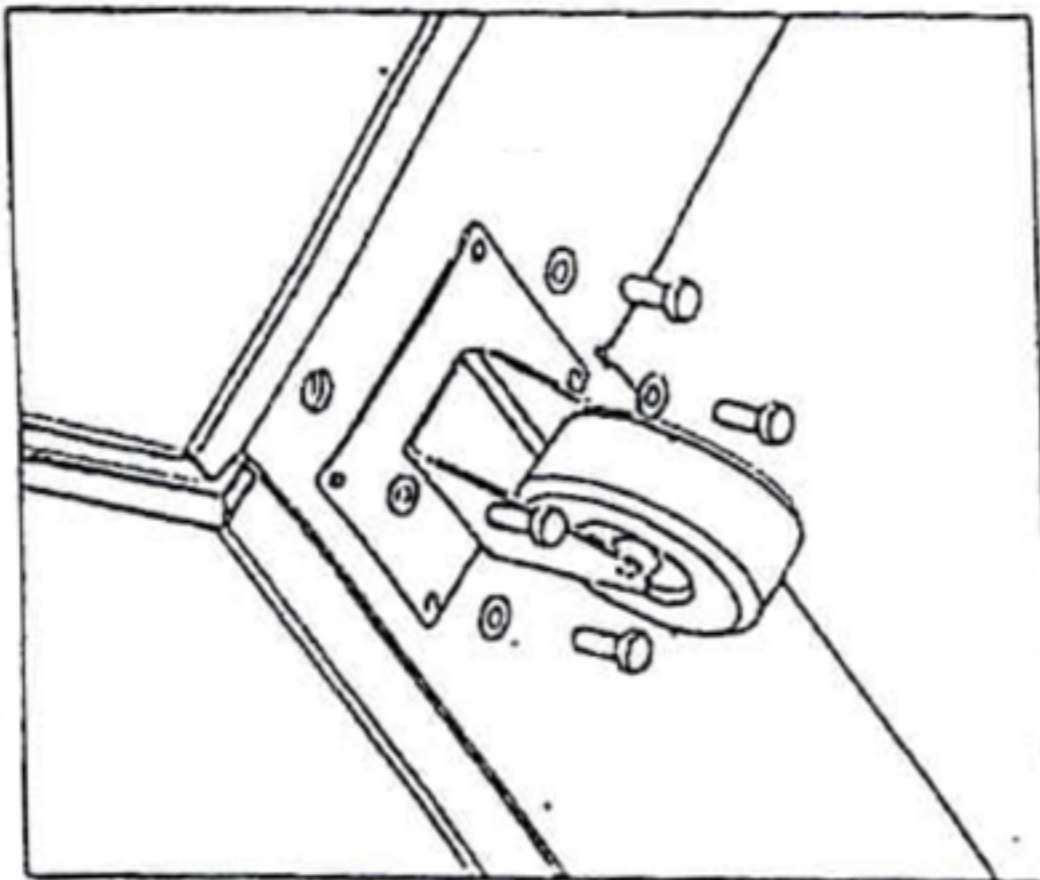


Side covers:



Placement of side covers holders

Wheels:



Total view (without inside girders):

