

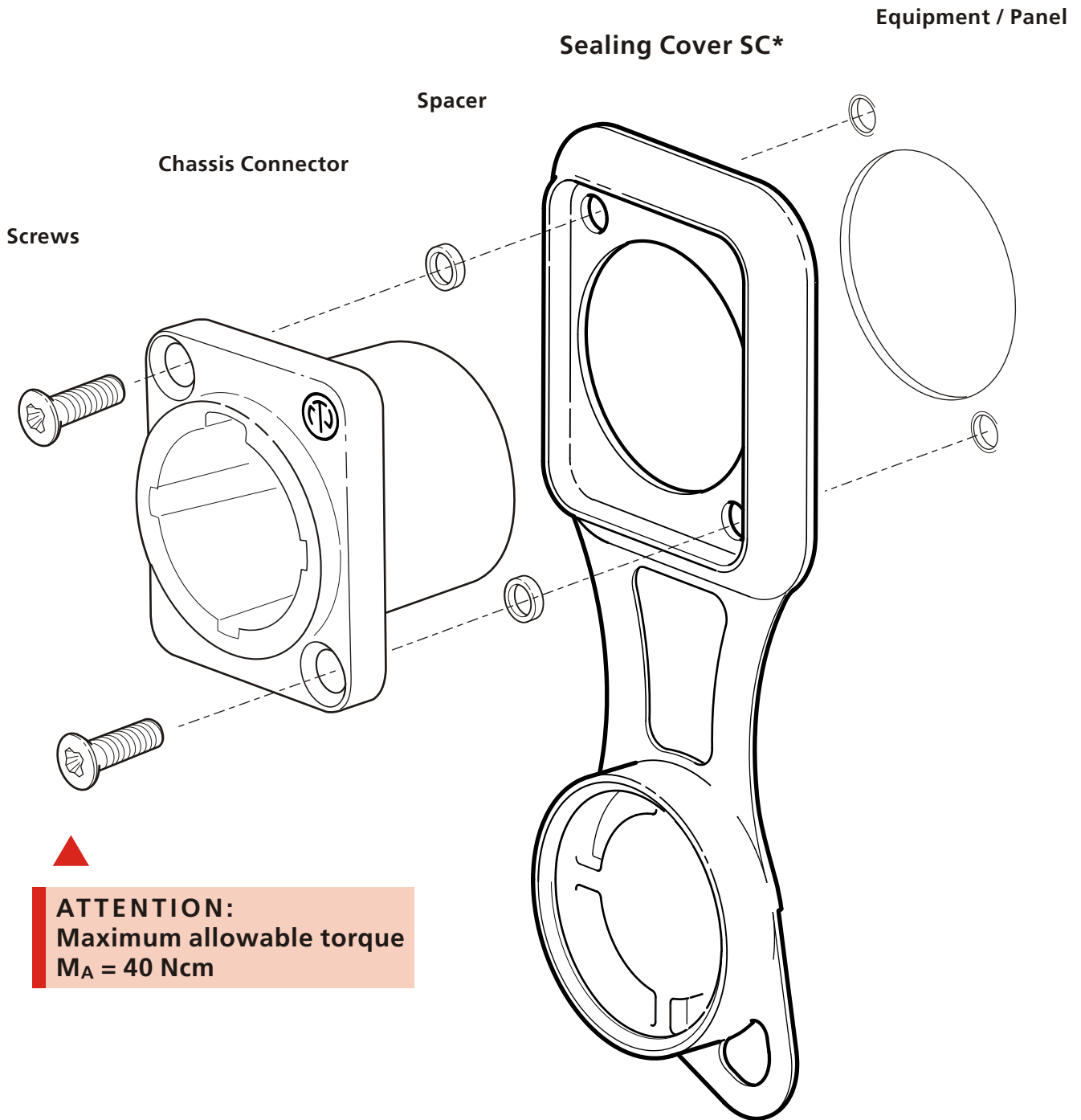


ASSEMBLY INSTRUCTION

SCD-W | Rubber sealing cover D-Series

SCNAC-FPX | Rubber sealing cover powerCON NAC3FPX

SCNAC-MPX | Rubber sealing cover powerCON NAC3MPX



ATTENTION:
Maximum allowable torque
 $M_A = 40 \text{ Ncm}$

| | | | | | | | |
|------------------------|-------------|-----------------------|-----------------------|------------------------|----|----------------------|----------------------|
| NEUTRIK AG | LI | T: +423 / 237 24 24 | F: +423 / 232 53 93 | NEUTRIK France | FR | T: +33 1 / 4131 6750 | F: +33 1 / 4131 0511 |
| NEUTRIK USA Inc. | USA | T: +1 704 / 972 3050 | F: +1 704 / 438 9202 | NEUTRIK Tokyo Ltd. | JP | T: +81 3 / 3663 4733 | F: +81 3 / 3663 4796 |
| NEUTRIK (UK) Ltd. | UK | T: +44 1983 / 811 441 | F: +44 1983 / 811 439 | NEUTRIK Hong Kong Ltd. | HK | T: +852 / 2687 6055 | F: +852 / 2687 6052 |
| NEUTRIK Vertriebs GmbH | DE/NL/AT/DK | T: +49 8131 / 280 890 | F: +49 8131 / 280 830 | | | | |

Draft. Nr.: BDA 374 / 3102M2161 | Update: 22.05.2013 | Data subject to change without prior notice. ©2013 NEUTRIK®. ALL RIGHTS RESERVED. NEUTRIK® are registered trademark.

www.neutrik.com

NEUTRIK®