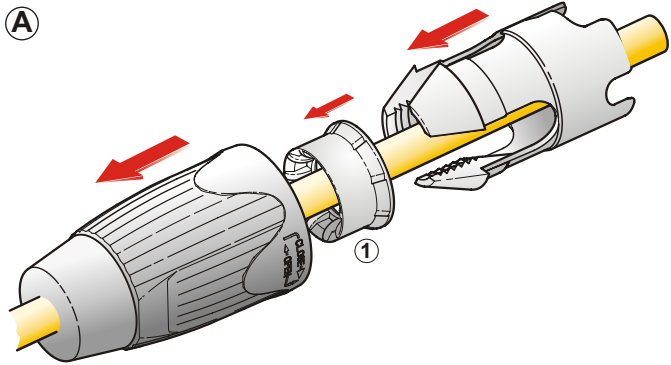




# ASSEMBLY INSTRUCTION

## speakON STX Series | Lockable Loudspeaker Connector 8 pole Cable Connector with metal housing - NLT8MX

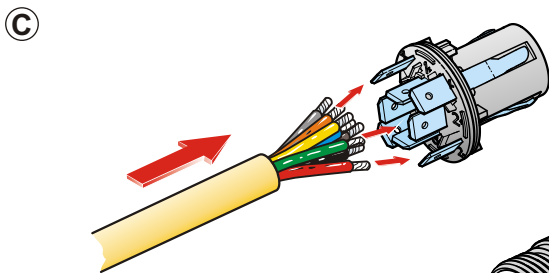
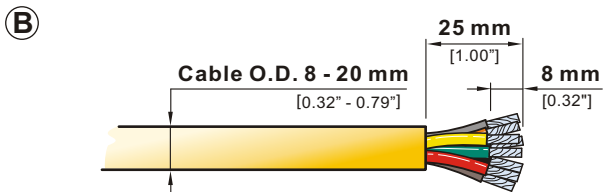
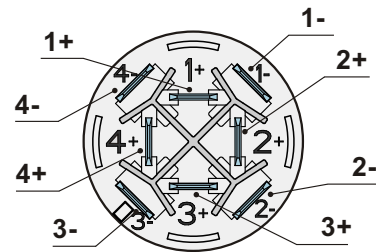


**A** Place bushing and chuck over the cable.  
**If cable O.D.:**  
**Less 16 mm please use reducing piece (1).**

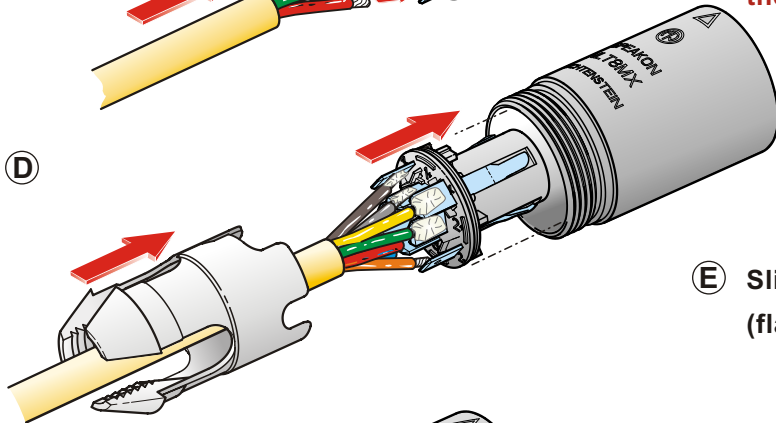
**B** Prepare cable as shown.

**C** Solder the wire ends to contacts of insert.

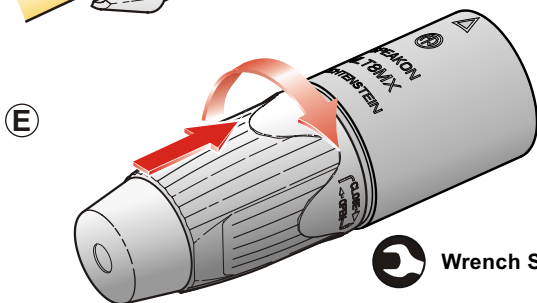
### Wiring:



**D** Slide insert and chuck into housing.  
**Important:** Align the insert by positioning the Neutrik to the top of the housing.



**E** Slide the bushing up the cable and tighten it (flat wrench SW 27 mm).



Wrench Size = 27

NEUTRIK AG LI T: +423/237 24 24 F: +423/232 53 93  
NEUTRIK USA Inc. USA T: +1 704 / 972 3050 F: +1 704/438 9202  
NEUTRIK (UK) Ltd. UK T: +44 1983 / 811 441 F: +44 1983/811 439  
NEUTRIK Vertriebs GmbH DE/NL/AT/DK T: +49 8131 / 280 890 F: +49 8131/280 830

NEUTRIK France FR T: +33 1/4131 6750 F: +33 1/4131 0511  
NEUTRIK Tokyo Ltd. JP T: +81 3/3663 4733 F: +81 3/3663 4796  
NEUTRIK Hong Kong Ltd. HK T: +852/2687 6055 F: +852/2687 6052  
NEUTRIK India Pvt. Ltd. IND T: +91/982 05 43 424 F: +91/22 26163 540

Draft. Nr.: BDA 334 / 3102M12021 | Update:

10.07.2014 | Data subject to change without prior notice. ©2014 NEUTRIK® . ALL RIGHTS

www.neutrik.com

**NEUTRIK**